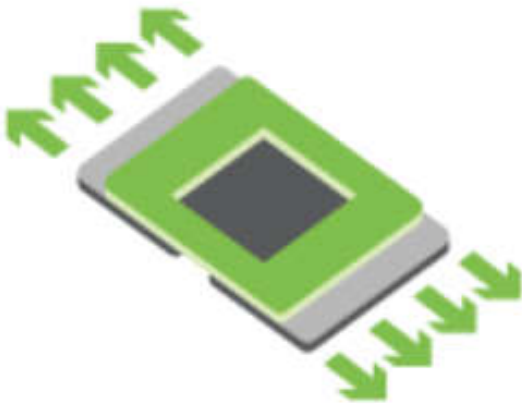




OPEN
Compute Project®



OCP OAI Group Monthly Call

08142019

Agenda

- JDA Group updates
- OAM Spec v1.0
- UBB Status Update
- Liquid Cooling Proposal
- OAM Reference System Design proposals update
- UBB/Reference system Schedule
- OCP Regional Summit planning
- Next Steps

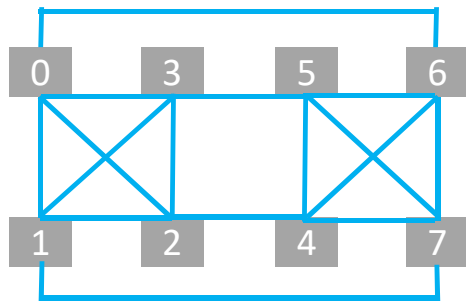
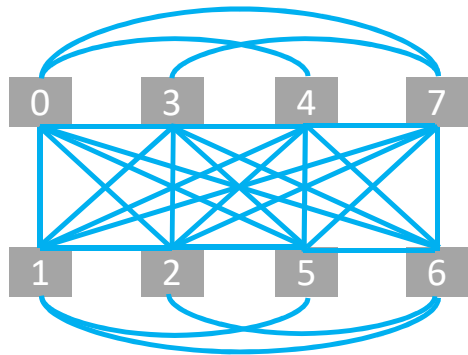
JDA Group Update

- JDA Amendment

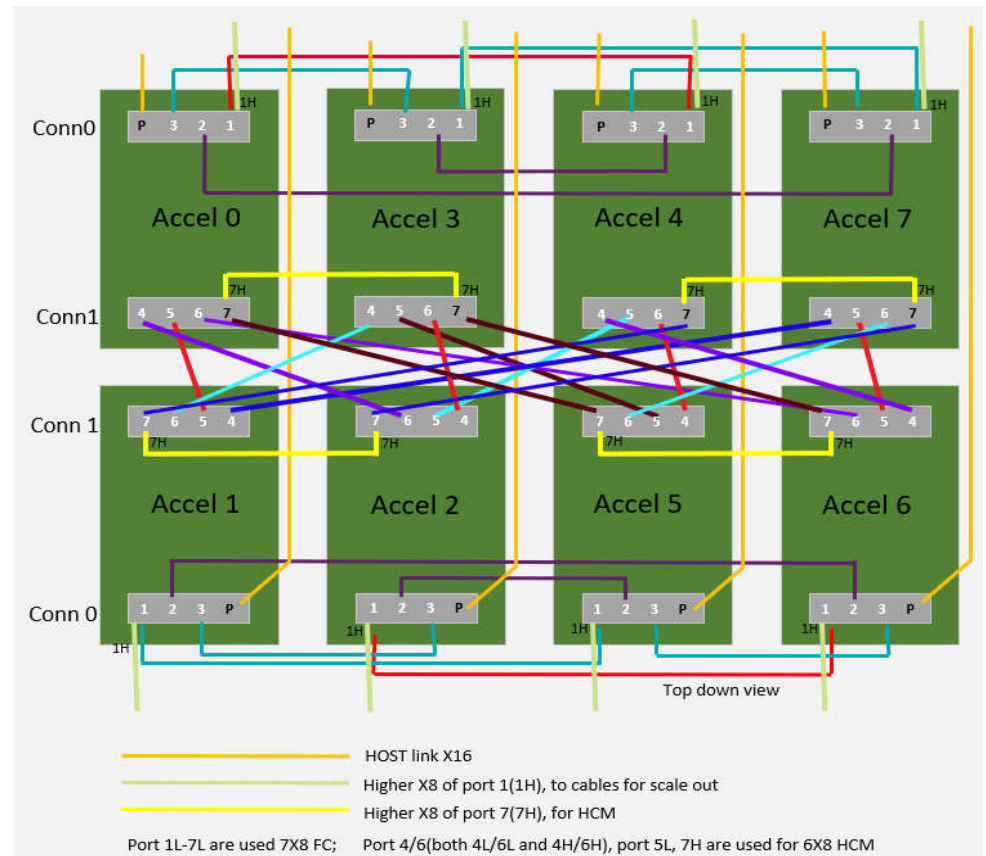
OAM Spec v1.0 released

- <https://www.opencompute.org/wiki/Server/OAI>

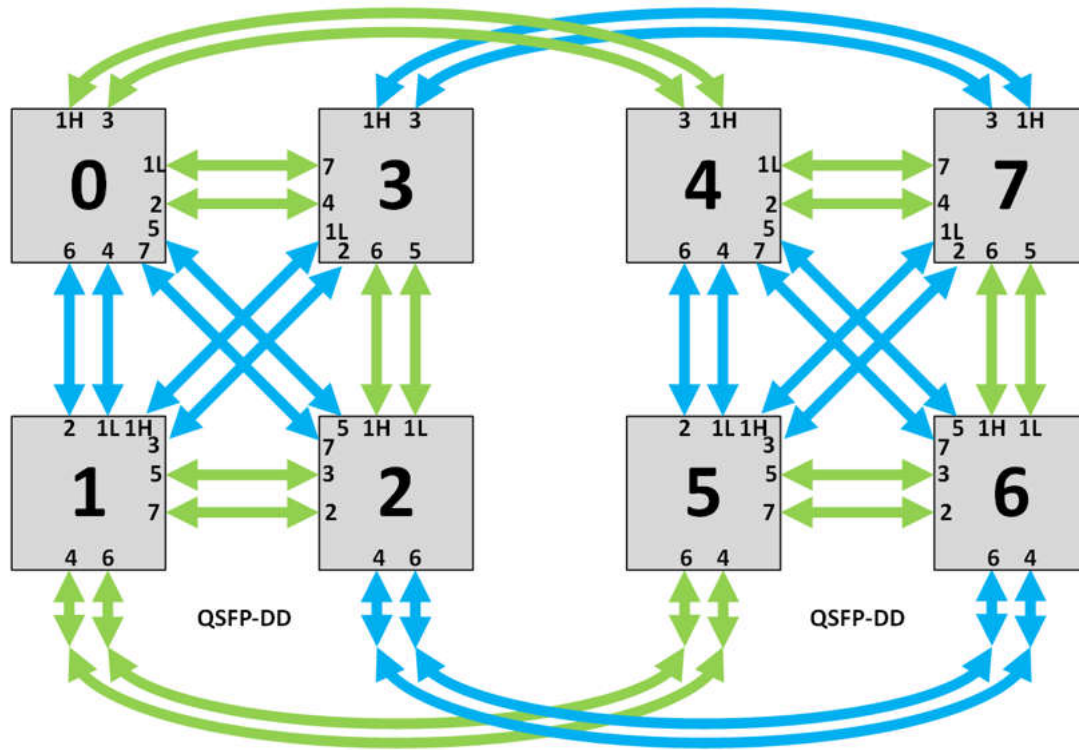
Combined Topology(FC+HCM)



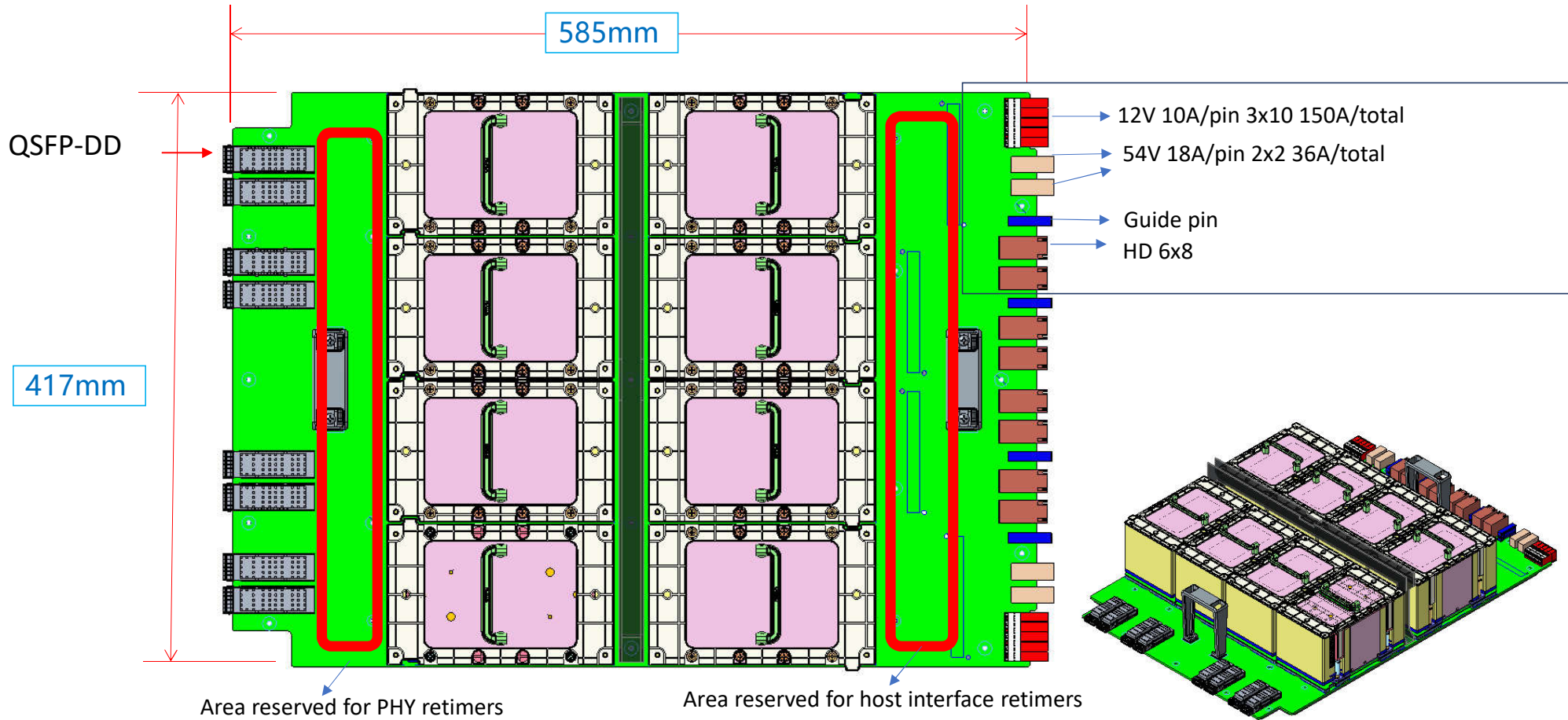
Notes: For HCM, interconnect links are on Conn1 only



Add 8-link HCM Topology to spec



UBB



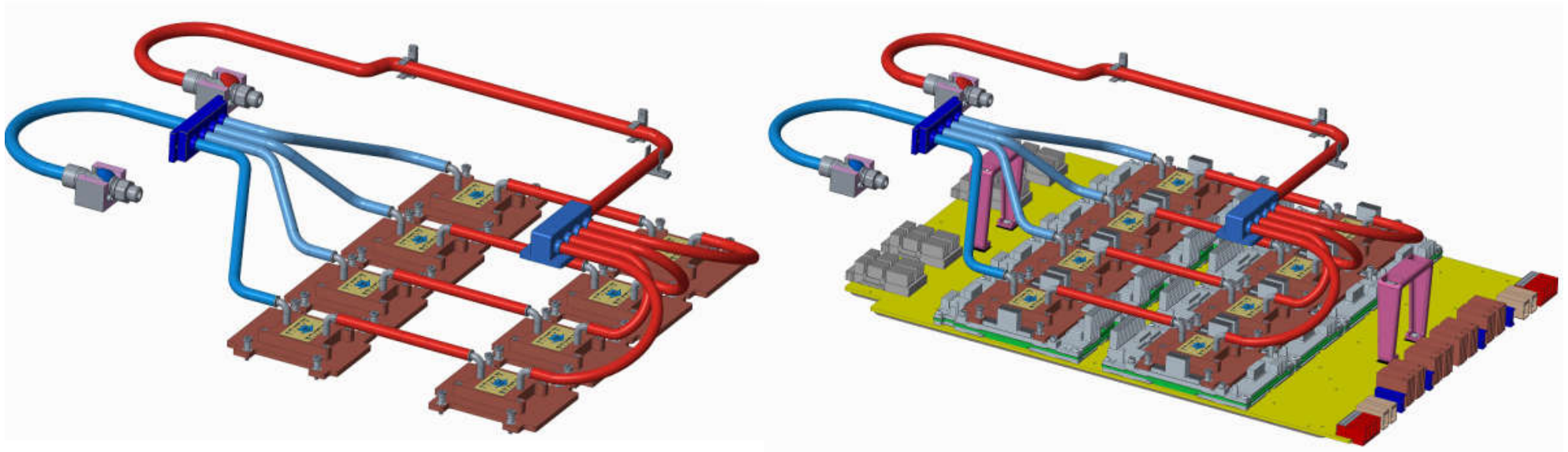
UBB Status Update

- Two UBB SKUs
 - 8 port HCM
 - FC with embedded 6 port HCM
- UBB Spec in progress, plan to submit v0.3 to Server group monthly review on 8/28
- Ultra Low loss material, 22L
- 12V up to 300w, 54V up to 500w
- Liquid Cool proposal

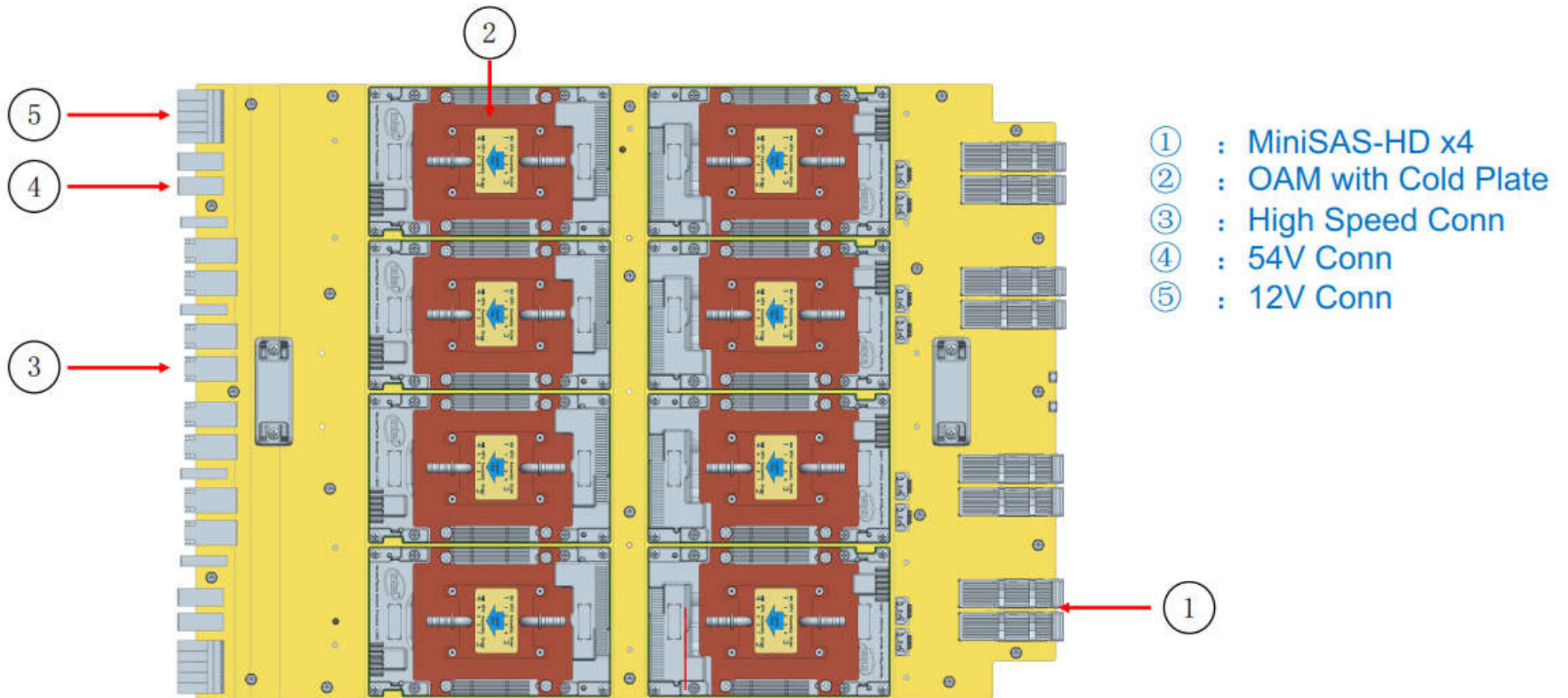
In Discussion

- Multi Host/Single Host support
- PHY retimer study
- Clock end to end topology
- Reset
- JTAG
- I2C Diagram

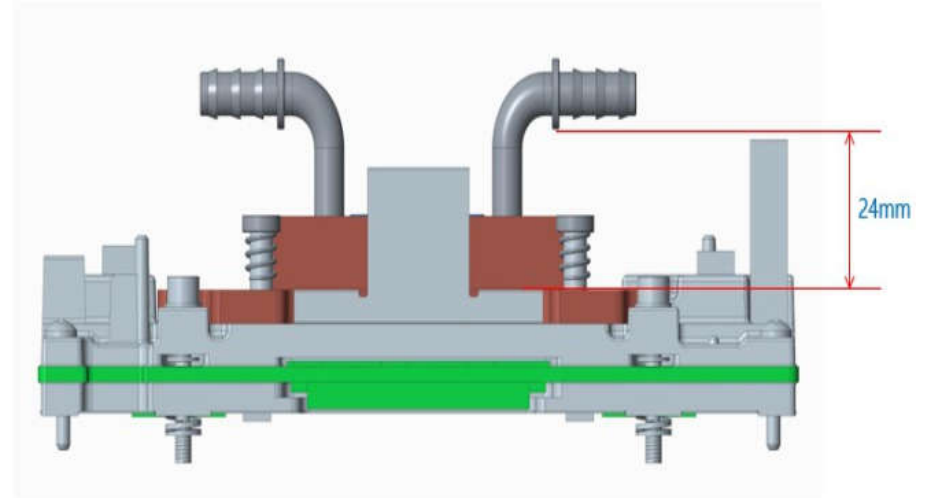
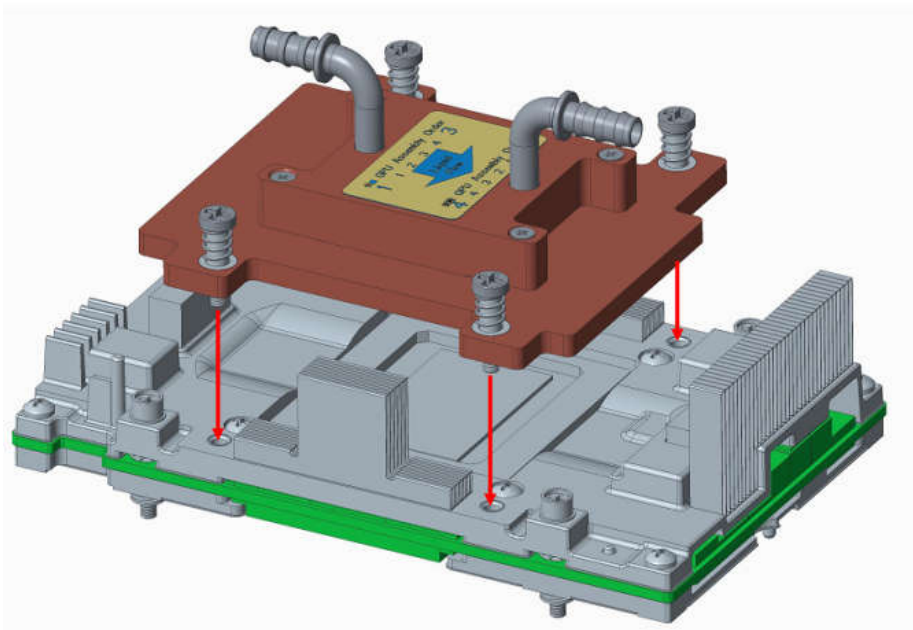
Liquid Cool Proposal



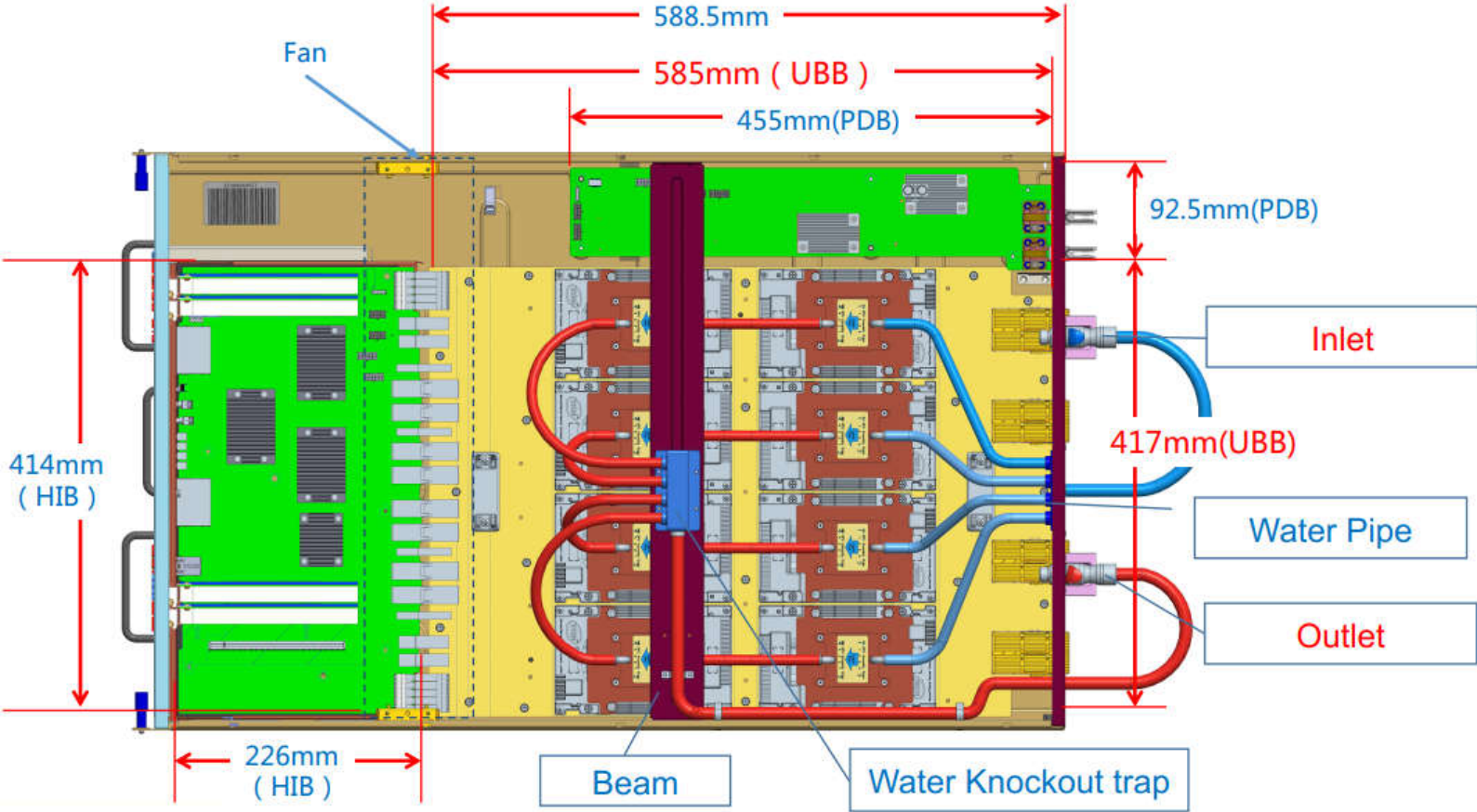
UBB with Cold Plate



Cold Plate & OAM Mating



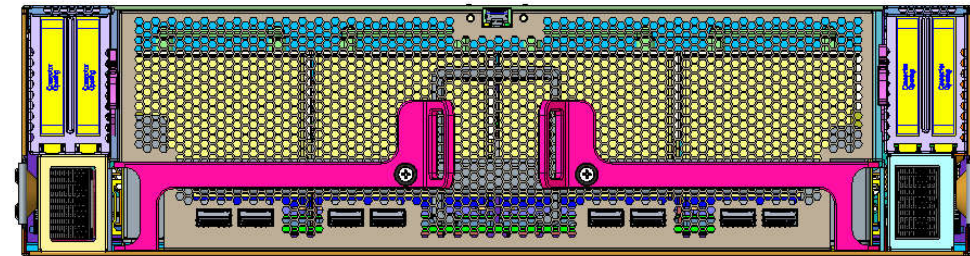
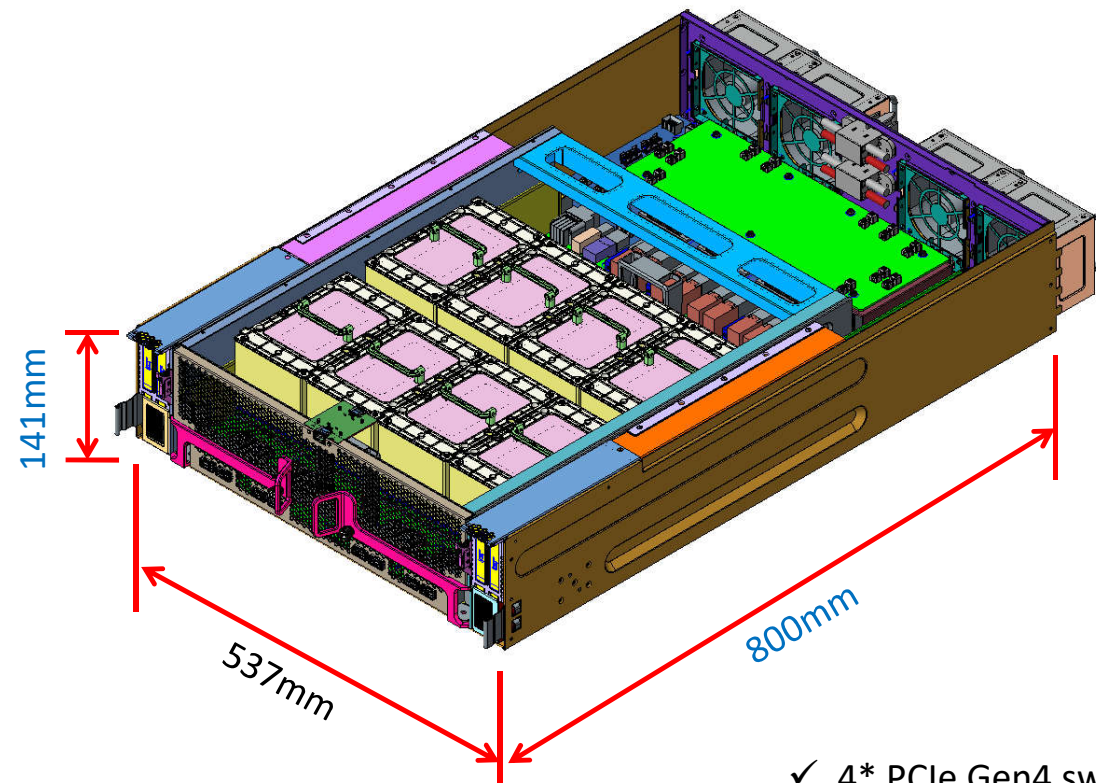
Reference System w/ Liquid Cool View



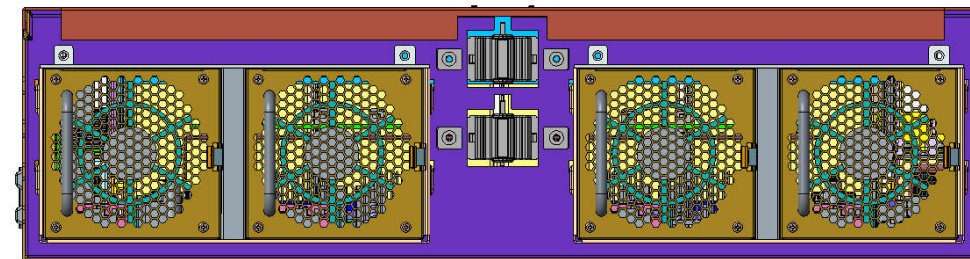
Reference System Design Update

Reference Systems Design Proposal 1 by Inspur

21'' Rack, air cool/Liquid Cool, front I/O, 4*AICs



Front View

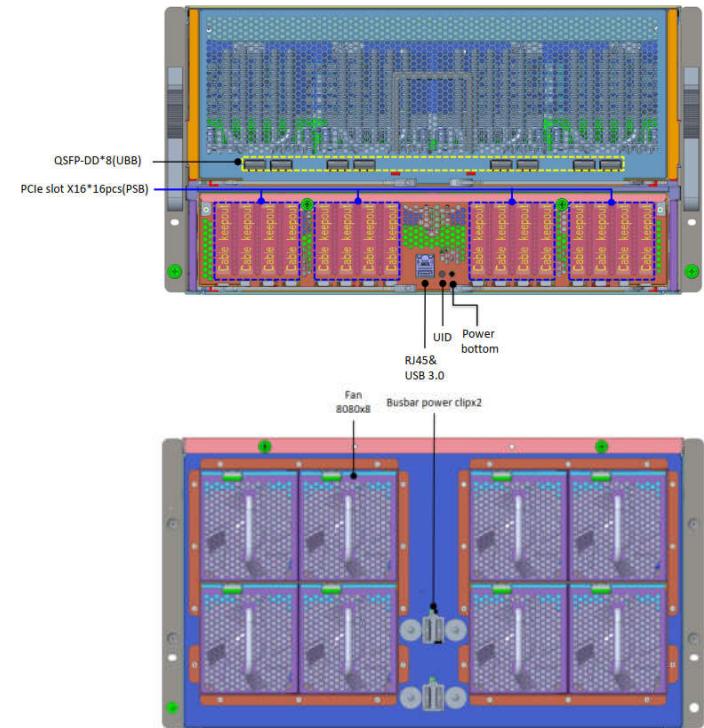
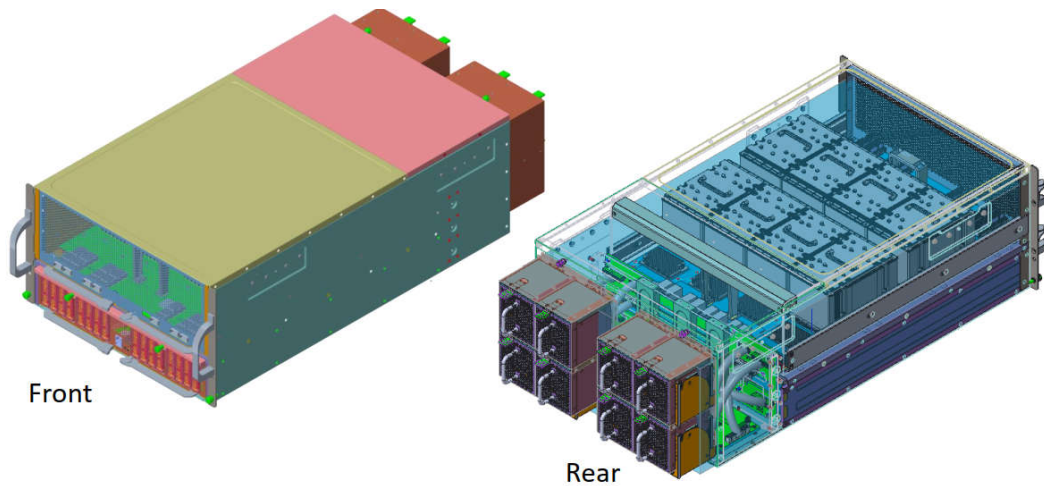


Rear View

- ✓ 4* PCIe Gen4 switch
- ✓ 54V input
- ✓ 4* PCIe x16 slots

Reference Systems Design Proposal 2 by Hyve

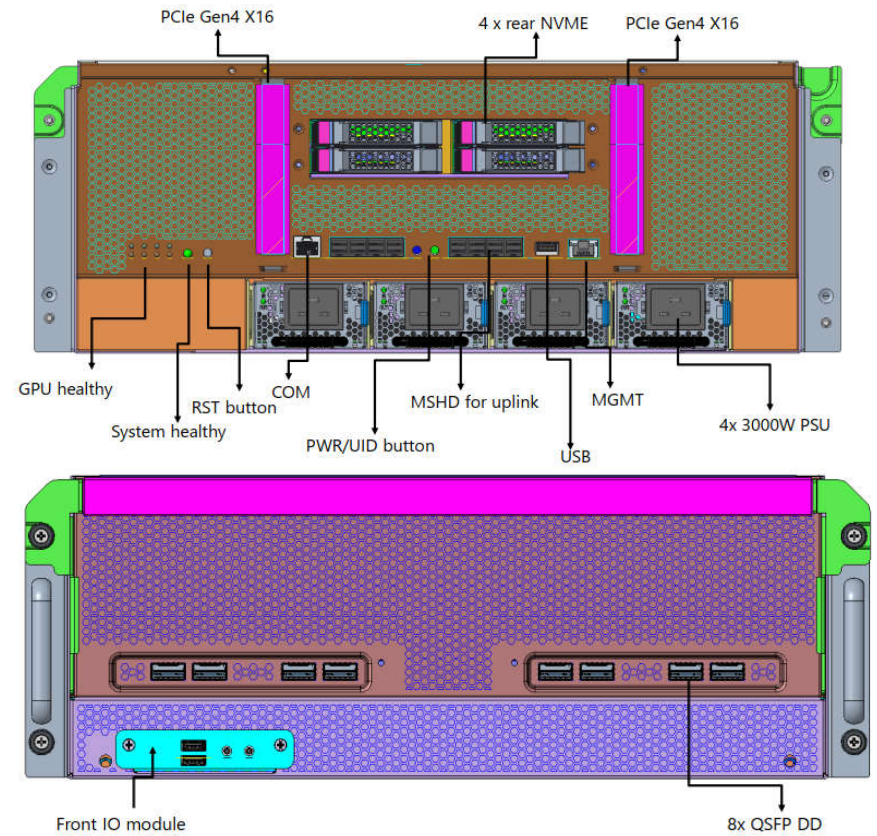
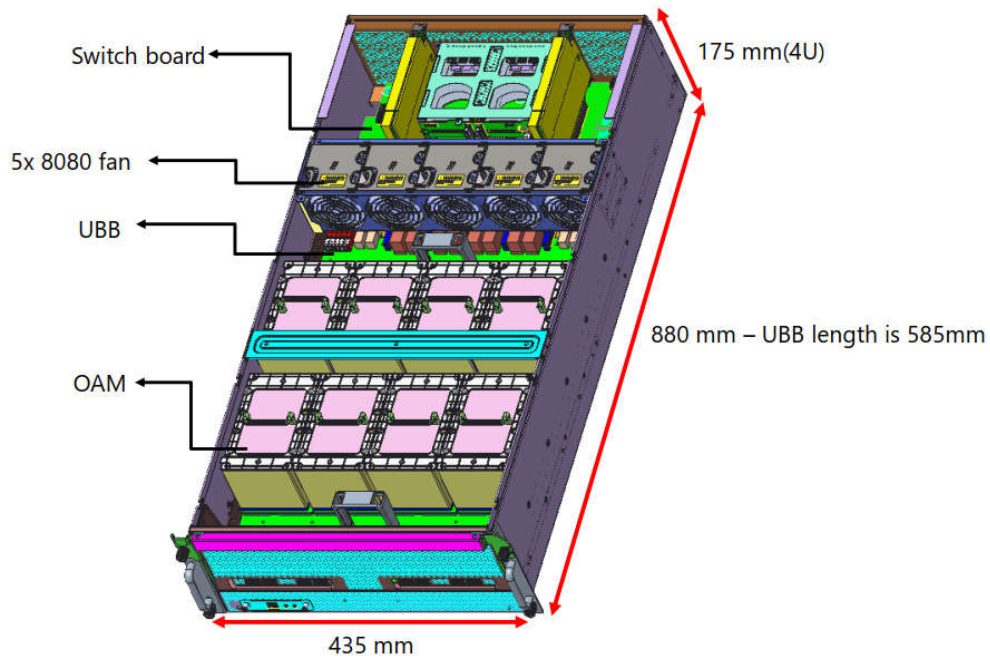
19" Rack, air cool/liquid cool, front I/O, up to 12*AICs, flexible hosts



- 16* PCIe slot, flexible for host interface and IO(2+14, 4+12, 8+8...)
- Total 6RU

Reference Systems Design Proposal 3 by ZT/Inventec

19" Rack, air cool/liquid cool, front/rear I/O, 4/8 AICs, flexible hosts



- 2X16 or 4X16 from host
- Total 4RU
- Update the 4*nvme devices to additional two PCIe slots(to be updated)

UBB/Reference system Schedule

- UBB/system design on going
- System bring up beginning of Oct
- Reference Systems demo in OCP Amsterdam OCP summit

OCP Regional Summit Plan

- 10mins lightning talk about OAI update
- 3hr total 6 workshops

Workshop	Session Title	
1	OAI Overview	15min
2	OAI-UBB: Universal baseboard for OCP Accelerator Module	25mins
3	OAM Reference Systems Joint Review(Inspur/Hyve/ZT)	45min
4	System management, security on OAI	25mins
5	Cooling solution for OAM Reference systems	25mins
6	OAM Panel discussion(AMD/Habana/Intel/Nvidia)	45min

- Experiencing Lab sponsors
 - System: FB, Baidu, Inspur, Hyve, ZT, Intel, Habana
 - OAM: Intel, Habana, AMD(to be confirmed), Nvidia(to be confirmed)

Next Steps

- OAM test vehicle enablement
 - Provide reference systems to OAM suppliers for validation
 - Provide OAM samples to system providers for validation
- Lockdown UBB design spec