

# Interface Masters Technologies



**Interface Masters**

◀ TECHNOLOGIES ▶

***Innovative Network Solutions***

Rev 04  
Jan 28, 2014

## About Interface Masters Technologies

- ❖ leading innovator of monitoring and networking equipment for the past Sixteen Years
- ❖ Based in San Jose, California with sales and support offices  
In Europe & Hong Kong

## Interface Masters Technologies & OCP

- ❖ Joined with Broadcom to author the OCP Switch specification Rev 1.0 in early 2013
- ❖ In the process of developing rev 1.1 of the OCP Spec for TOR and Spine switch
- ❖ Introduced Niagara2948-12XLM a modular TOR switch in September, 2013
- ❖ Today is introducing Niagara2632XL a spine switch
- ❖ Will introduce Niagara2948-6XL the 2<sup>nd</sup> TOR switch by the end of March

# Niagara 2948-12XLM-OCP

- ❖ 1U switch based on Broadcom StrataXGS® Trident 2
  - ❖ 1.28 Tbps of Bandwidth
- ❖ Choice of X86, PPC, MIPs or ARM Control Processor
- ❖ Optional Data Plane off-load module
- ❖ Modular IO configuration
  - ❖ Up to 96 x 10Gb ports
  - ❖ Up to 12 x 40Gb ports
- ❖ Support data center configurations



# Niagara 2948-12XL-OCP – Internal



## Control CPU

- ❖ Flexible control CPU board:
  - ❖ CPU architecture
    - ❖ X86 – AMD embedded G-series SOC
    - ❖ Power PC – Freescale multi core PPC
    - ❖ MIPS – Broadcom Multi Core MIPS
    - ❖ ARM
  - ❖ CPU Power
    - ❖ single core or multi core
    - ❖ Speed configuration
  - ❖ Memory
  - ❖ Storage



# Data Plane Processor (DPP)

- ❖ Acceleration for data plane functions
  - ❖ Encryption and decryption
  - ❖ Deep Packet inspection function
- ❖ 40Gbps interface to the data plane
- ❖ Supports:
  - ❖ Multi core MIPs CPU – XLP432
  - ❖ FPGA design



## Flexible IO module in a 1U

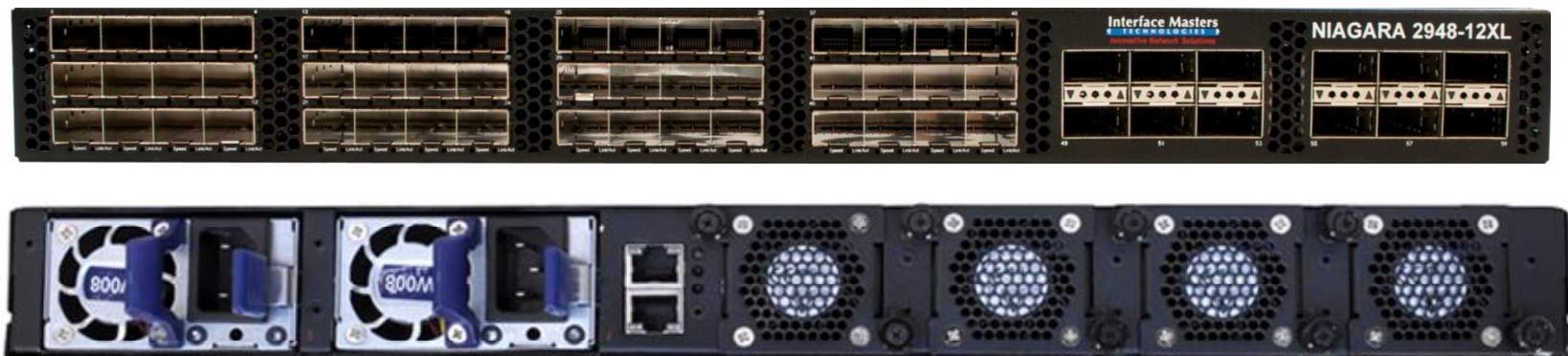
- ❖ Support different application
  - ❖ TOP – Leaf switch
    - ❖ 48 x 10Gb + 12 x 40Gb
    - ❖ 48 x 10Gb + 6 x 40Gb
    - ❖ 72 x 10Gb
  - ❖ Aggregation – Spine switch
    - ❖ 32 x 40Gb





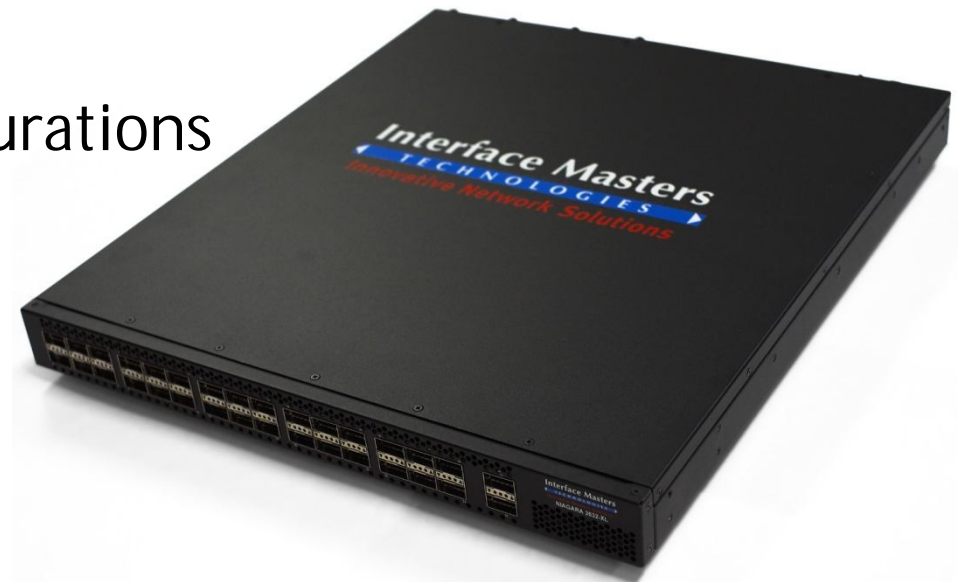
## Niagara 2948-12XL-OCP – Front and Back

- ❖ Supports dual redundant power supplies
- ❖ Hot Pluggable fans - back to front and front to back  
factory configurable

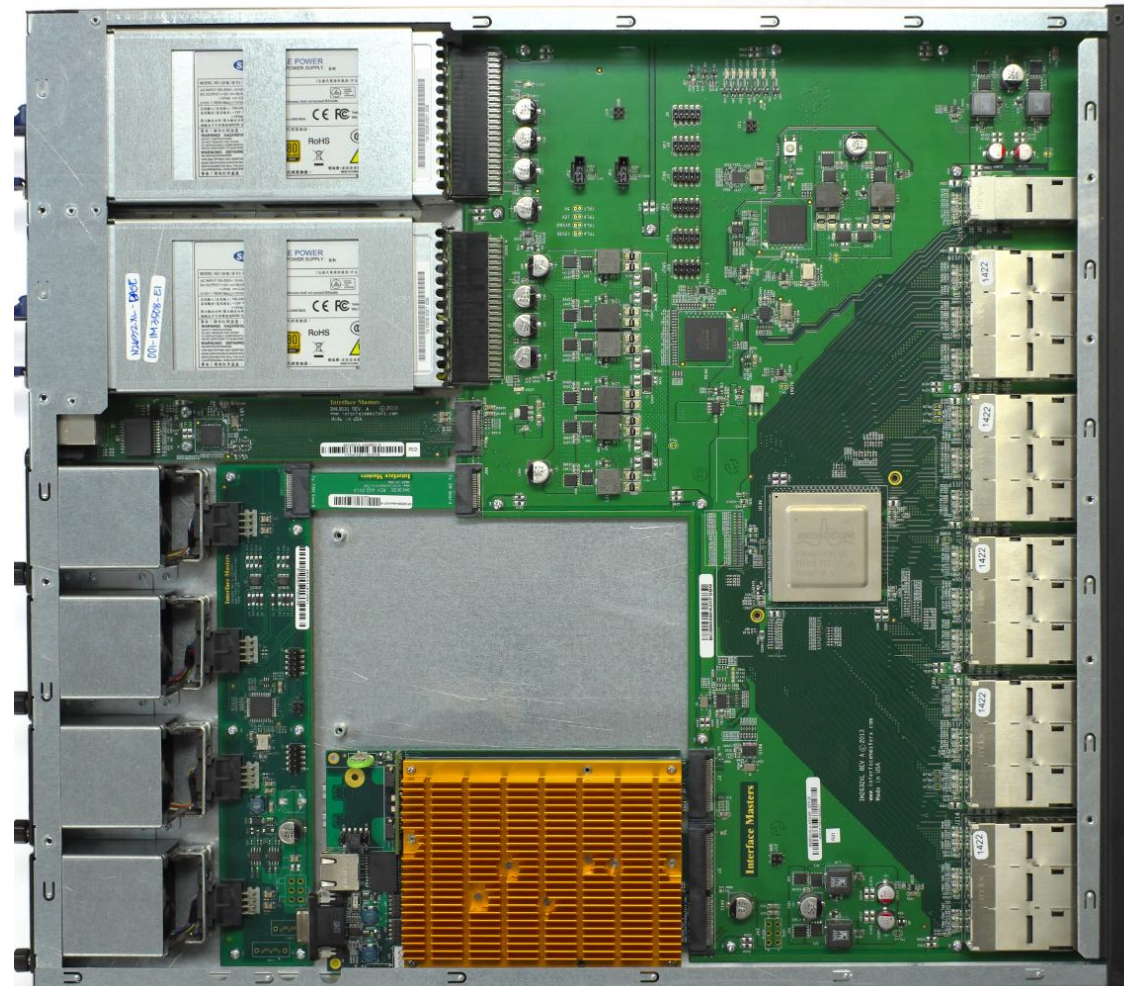


# Niagara 2632XL-OCP

- ❖ 1U switch based on Broadcom StrataXGS® Trident 2
  - ❖ 1.28 Tbps of Bandwidth
- ❖ Choice of X86, PPC, MIPs or ARM Control Processor
- ❖ 32 ports of 40Gb
- ❖ Support data center configurations



## Niagara 2632XL-OCP



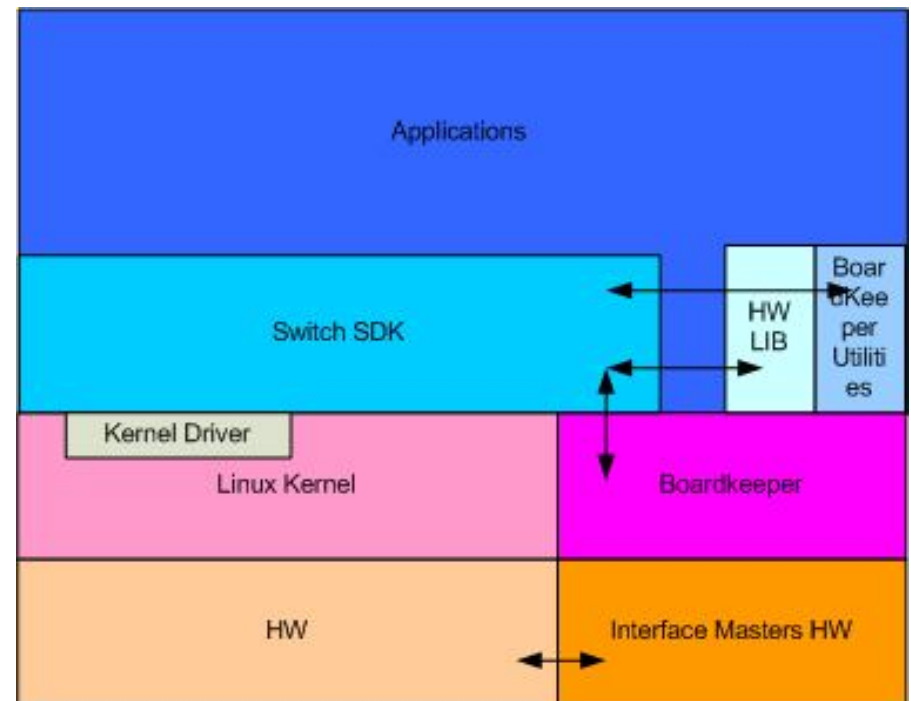
## Niagara 2632XL-OCP – Front and Back

- ❖ Supports dual redundant power supplies
- ❖ Hot Pluggable fans - back to front and front to back  
factory configurable



# Software Foundation

- ❖ Boot loader
  - ❖ GRUB 2 for X86
  - ❖ U-Boot and X-Loader for MIPS
- ❖ Open Network Install Environment (ONIE)
- ❖ Linux BSP
  - ❖ Debian or Ubuntu Distribution
- ❖ Interface Masters Boardkeeper
  - ❖ Drivers and interfaces to boards, buses and protocols
  - ❖ Hardware auto-configuration
- ❖ Broadcom SDK – 6.3.2



# Switching Software

- ❖ Switch can be delivered with the following configurations
  - ❖ Hardware only
  - ❖ Hardware + OpenFlow 1.3.1
  - ❖ Hardware + L2-L3 switching software
- ❖ ONEI: enables ecosystem of operating systems
- ❖ Optional 3<sup>rd</sup> party Independent Software Vendors

