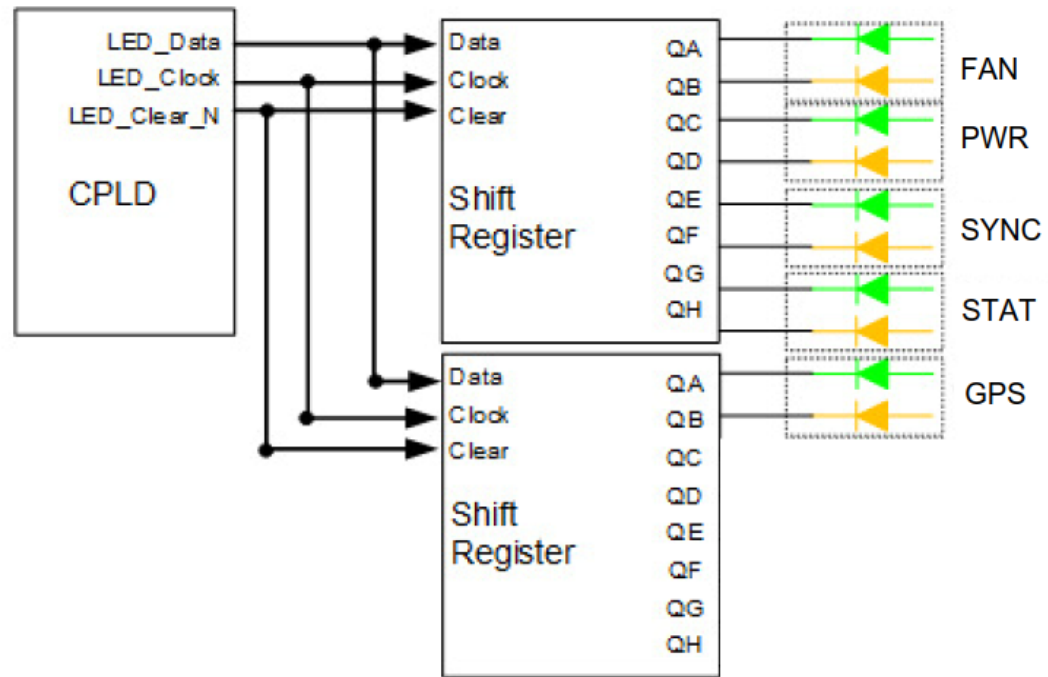
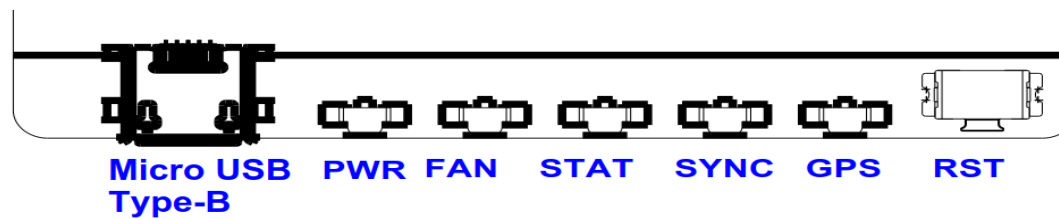


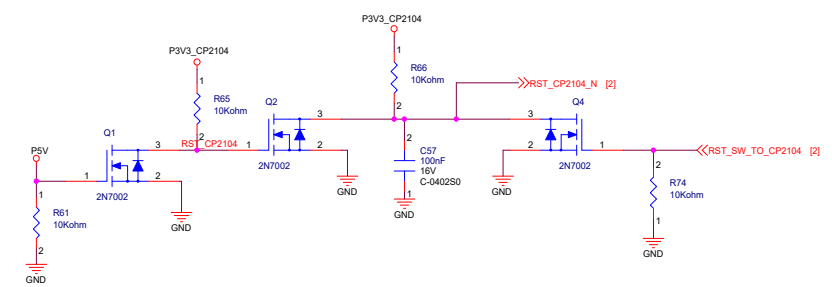
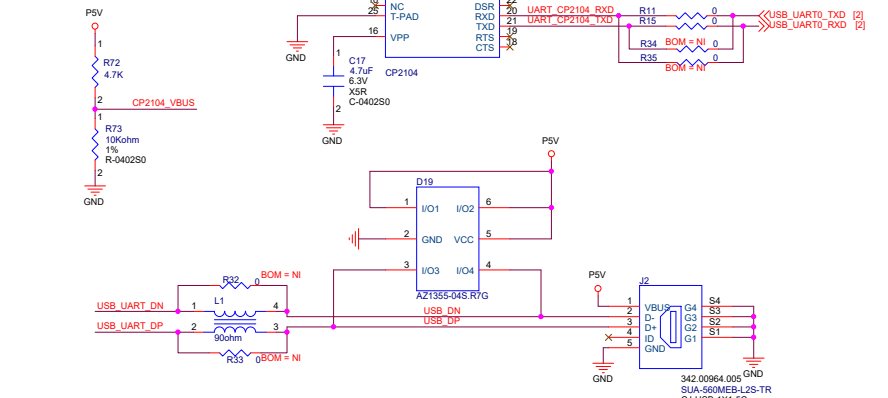
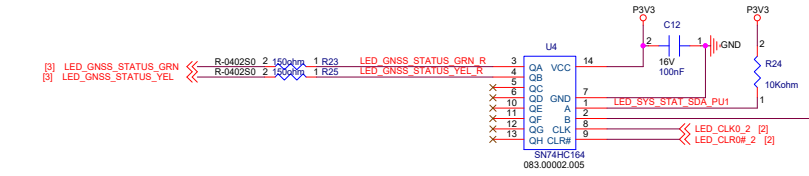
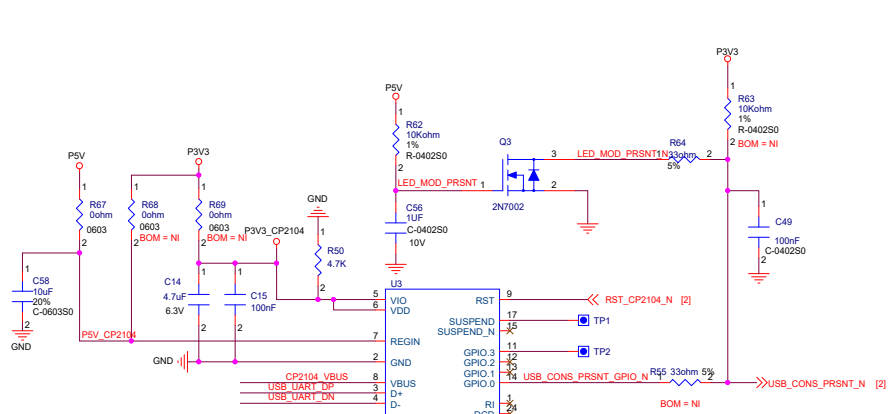
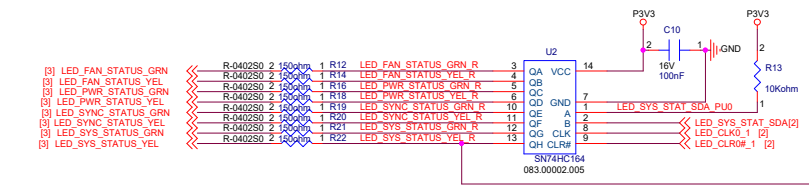
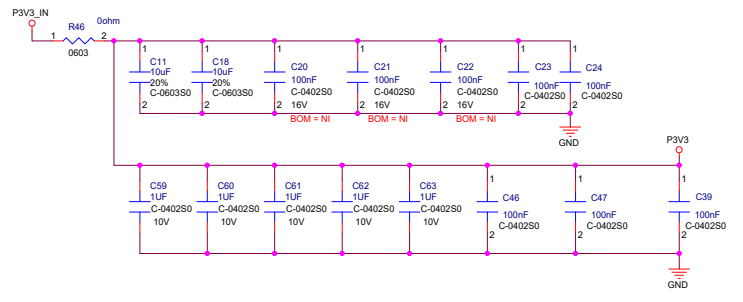
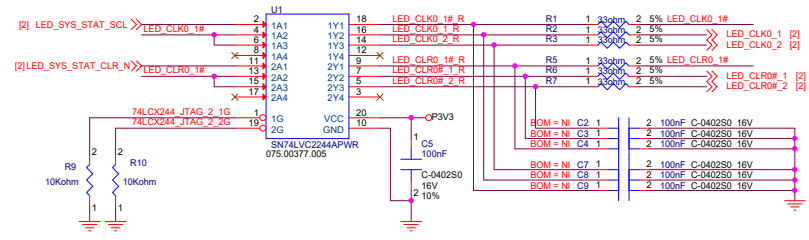
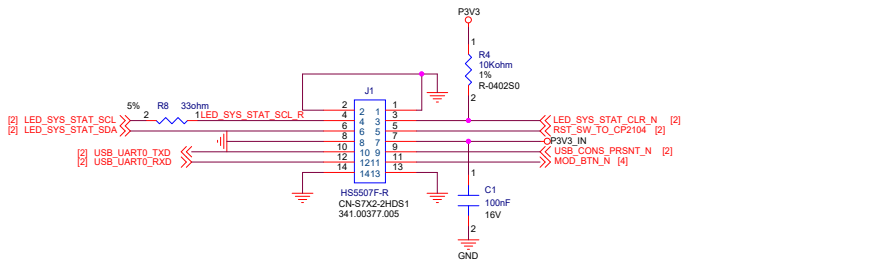
CSGR LED CARD

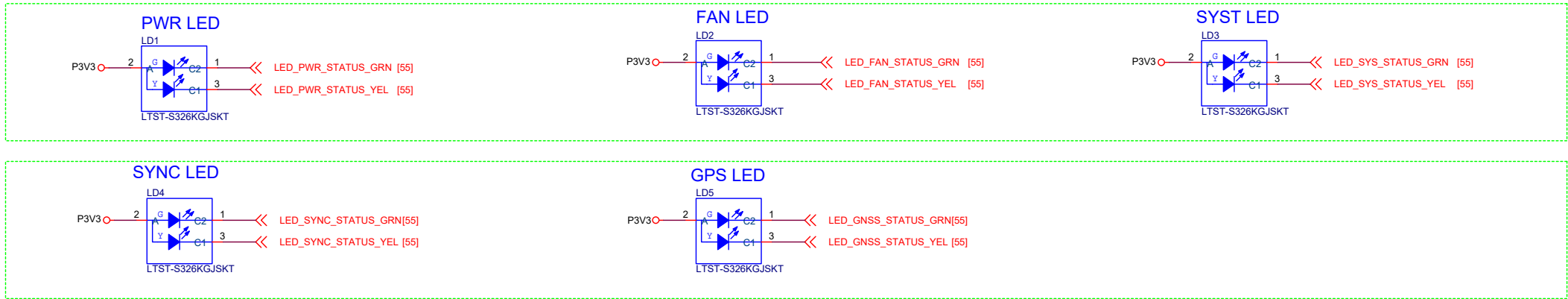


FRONT PANEL PLACEMENT



Ufi Space Co., Ltd.		CONFIDENTIAL
Title SYSTEM BLOCK DIAGRAM		
Size	Document Number	Rev
	Project: 95.2227T00	B0
Date:		Sheet 1 of 4

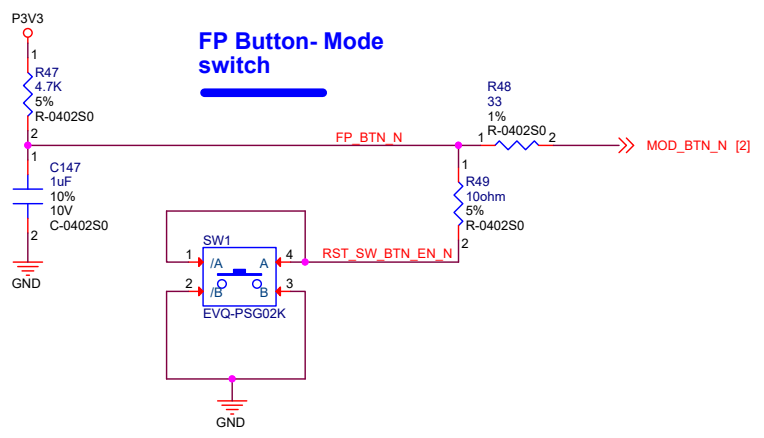




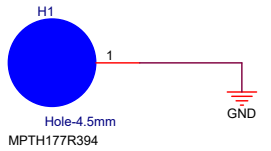
These components for EMI

LED_PWR_STATUS_GRN	C29 1	2	100nF	C-0402S016V		GND
	BOM = NI					
LED_PWR_STATUS_YEL	C32 1	2	100nF	C-0402S016V		GND
	BOM = NI					
LED_SYNC_STATUS_GRN	C41 1	2	100nF	C-0402S016V		GND
	BOM = NI					
LED_SYNC_STATUS_YEL	C44 1	2	100nF	C-0402S016V		GND
	BOM = NI					
LED_GNSS_STATUS_GRN	C27 1	2	100nF	C-0402S016V		GND
	BOM = NI					
LED_GNSS_STATUS_YEL	C30 1	2	100nF	C-0402S016V		GND
	BOM = NI					
LED_FAN_STATUS_GRN	C33 1	2	100nF	C-0402S016V		GND
	BOM = NI					
LED_FAN_STATUS_YEL	C36 1	2	100nF	C-0402S016V		GND
	BOM = NI					
LED_FAN_STATUS_GRN	C48 1	2	100nF	C-0402S016V		GND
	BOM = NI					
LED_FAN_STATUS_YEL	C50 1	2	100nF	C-0402S016V		GND
	BOM = NI					

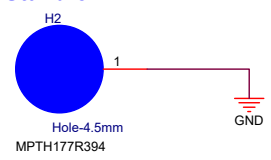
Ufi Space Co., Ltd.		CONFIDENTIAL
Title LED ARRAY		
Size	Document Number	Rev
	Project: 95.2227T00	B0
Date:	Sheet 3 of 4	



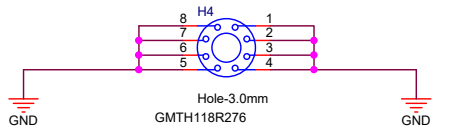
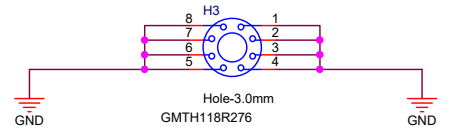
Stand off



Stand off



Screw Hole



Label
 603.00899.005
 LABEL BLANK

PCB
 807.XXXXX.005
 PCB PN

Ufi Space Co., Ltd.		CONFIDENTIAL
Title BUTTON & HOLES		
Size	Document Number 95.2227T00	Rev B0
Date:		Sheet 4 of 4