

CSGR FAN BOARD

REV	DESCRIPTION	ISSUE DATE
00XP0	PROTO BUILD	

TABLE OF CONTENTS

01	TABLE OF CONTENTS
02	FAN CONNECTOR
03	Thermal Sensor
04	LED CTRL

DESIGN CHANGE HISTORY

Dec. xx, 2017. Release for Proto build.

2017/12/19 Initial release.

2017/12/25 Change LED to 123.00651.005.

2017/12/28 Change J7 to 344.00174.005.

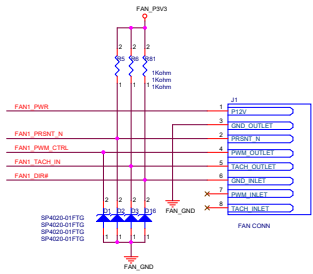
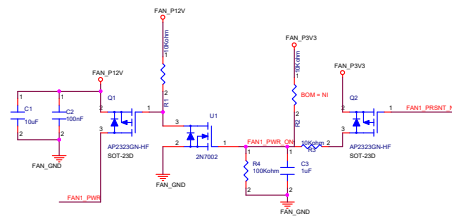
2017/12/29 Change eeprom address from 0x55 to 0x54

2017/12/30 Change temp sensor U6's address from 0x48 to 0x4A

2017/01/04 Change Screw's footprint based on ME's requirement.

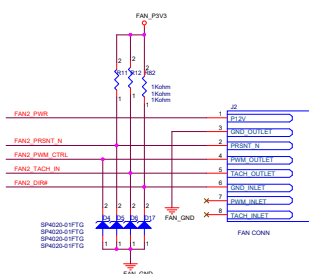
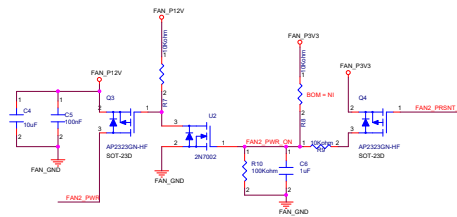
Ufi Space Co., Ltd.		CONFIDENTIAL
Title 01. TABLE OF CONTENTS		
Size	Document Number	Rev
	Project: Aphache	00XP0
Date:		Sheet 1 of 4

Fantray 1

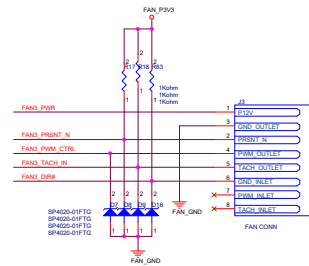
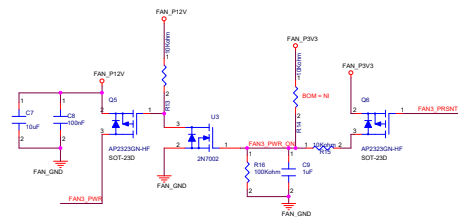


When Fantray Plug-In than the FAN_PRSNT_N change to low.

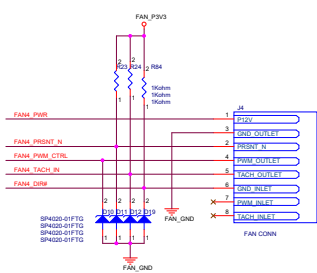
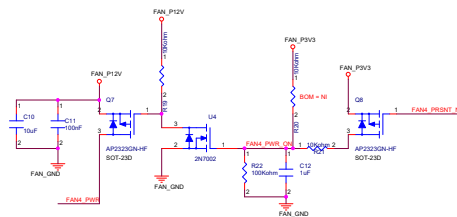
Fantray 2



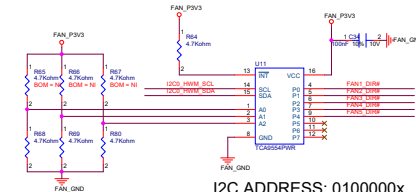
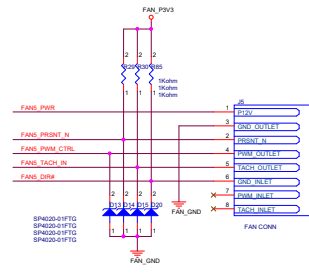
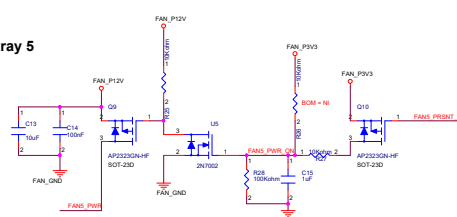
Fantray 3



Fantray 4

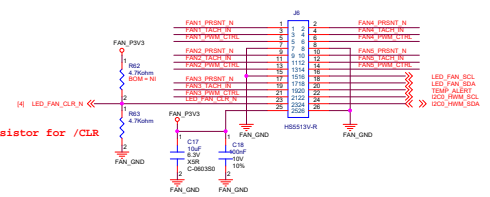


Fantray 5

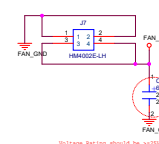
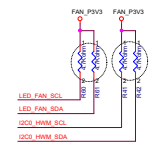


I2C ADDRESS: 0100000x

FROM MAIN BOARD CONNECTOR

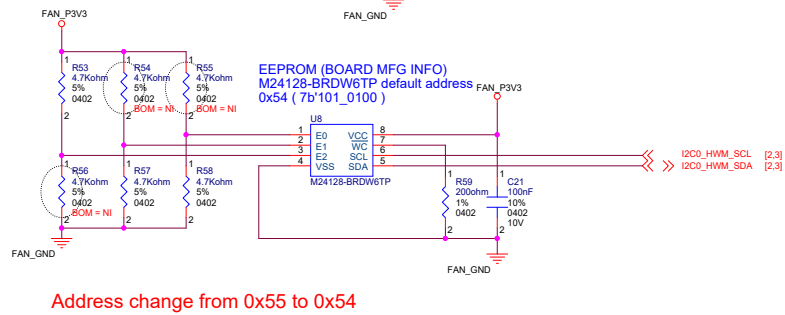
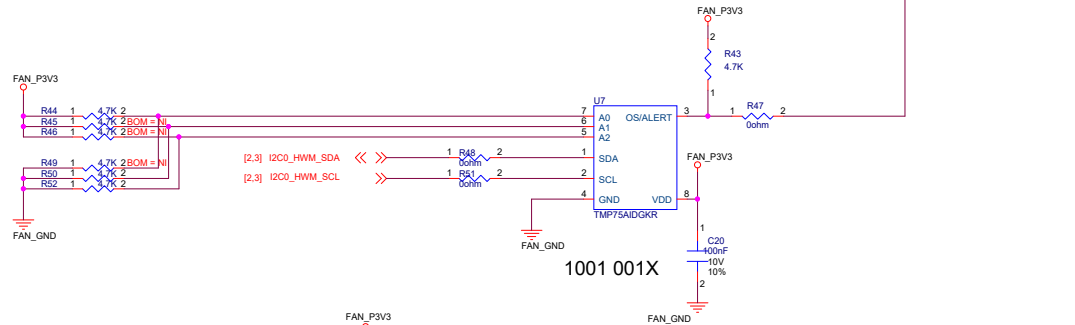
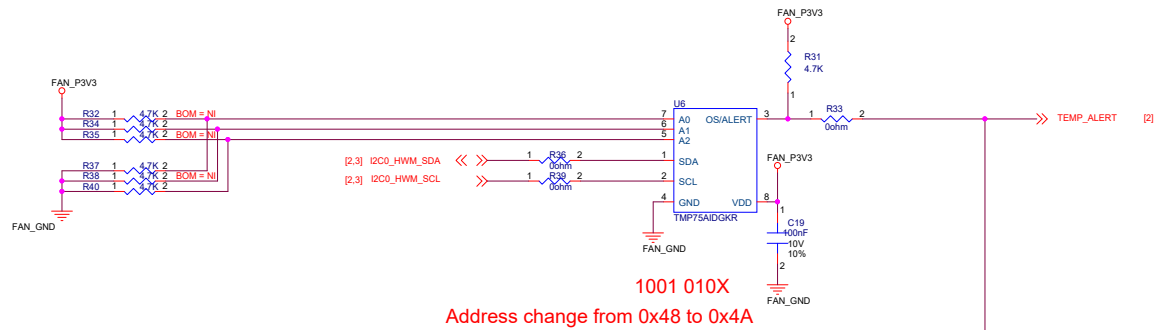


Add PD resistor for /CLR

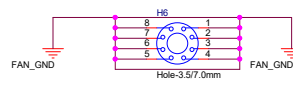
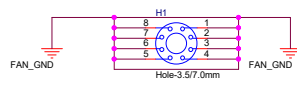


Voltage Rating should be >+20V Change to 18V/25V

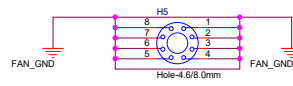
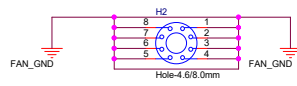
Pin #	Pin Definition	I/O	Function Description	FAN Tray Connector Connection	FAN Connection
1	+12V	-	FAN 12V power	To inlet, outlet FAN +	Out, +
2	FAN_PRSNT_N	O	FAN module presence signal sent by FAN	Jump Pin3	PIN 3
3	GND	-	FAN GND	To outlet FAN -	Out, -
4	FAN_PWM_OUTLET	I	Outlet FAN speed PWM control signal from HWM	To outlet FAN PWM	Out, PWM
5	FAN_TACH_OUTLET	O	FAN speed tachometer sent by outlet FAN	From outlet FAN tachometer	Out, 3rd
6					
7					
8					



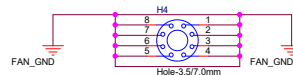
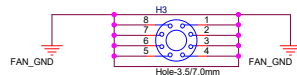
Screw and Label

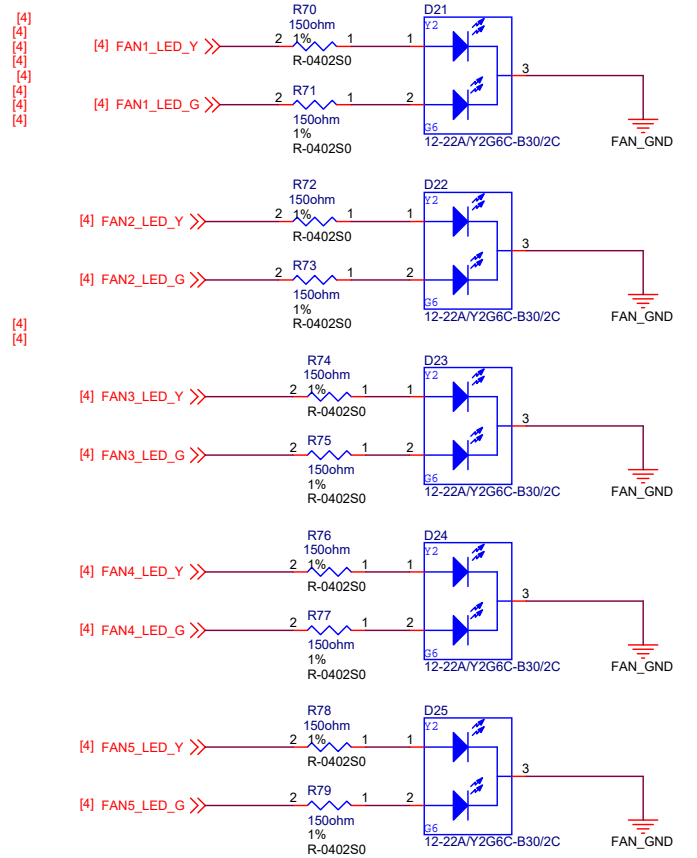
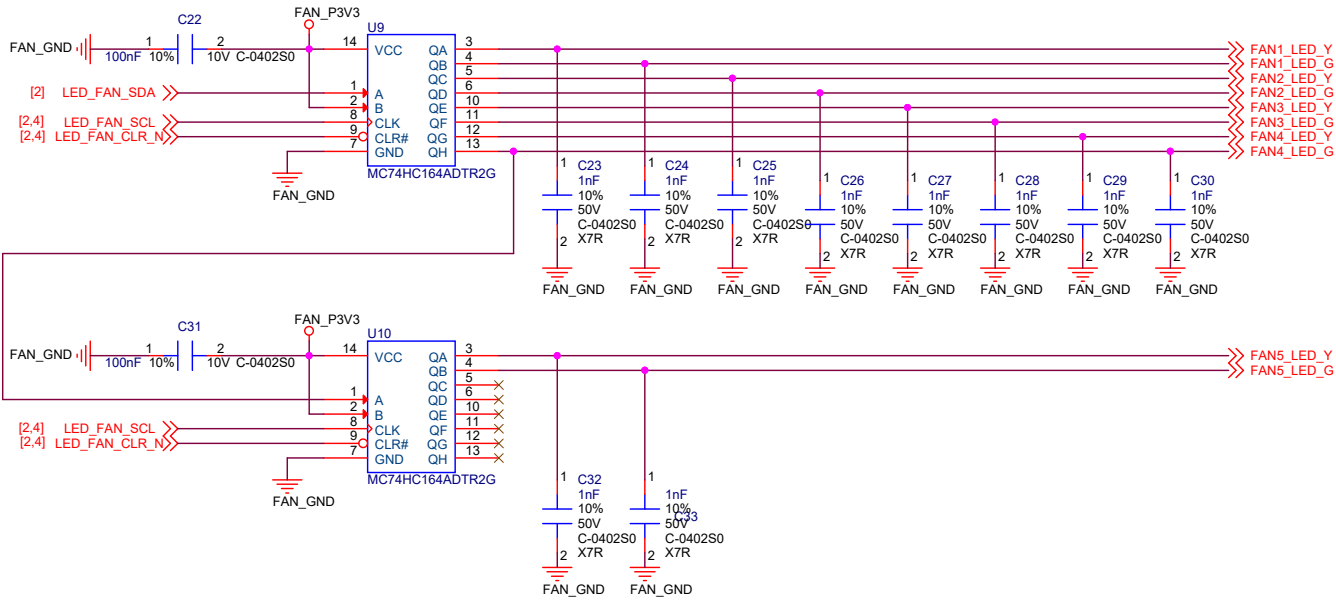


PN: 503.00860.005
LABEL BLANK



PN: 308.xxxxx.005
PCB





<Variant Name>

Ufi Space Co., Ltd.		CONFIDENTIAL
Title 04. LED CTRL		
Size	Document Number Project: Apache FAN board	Rev 00XP0
Date:	Sheet 4 of 4	