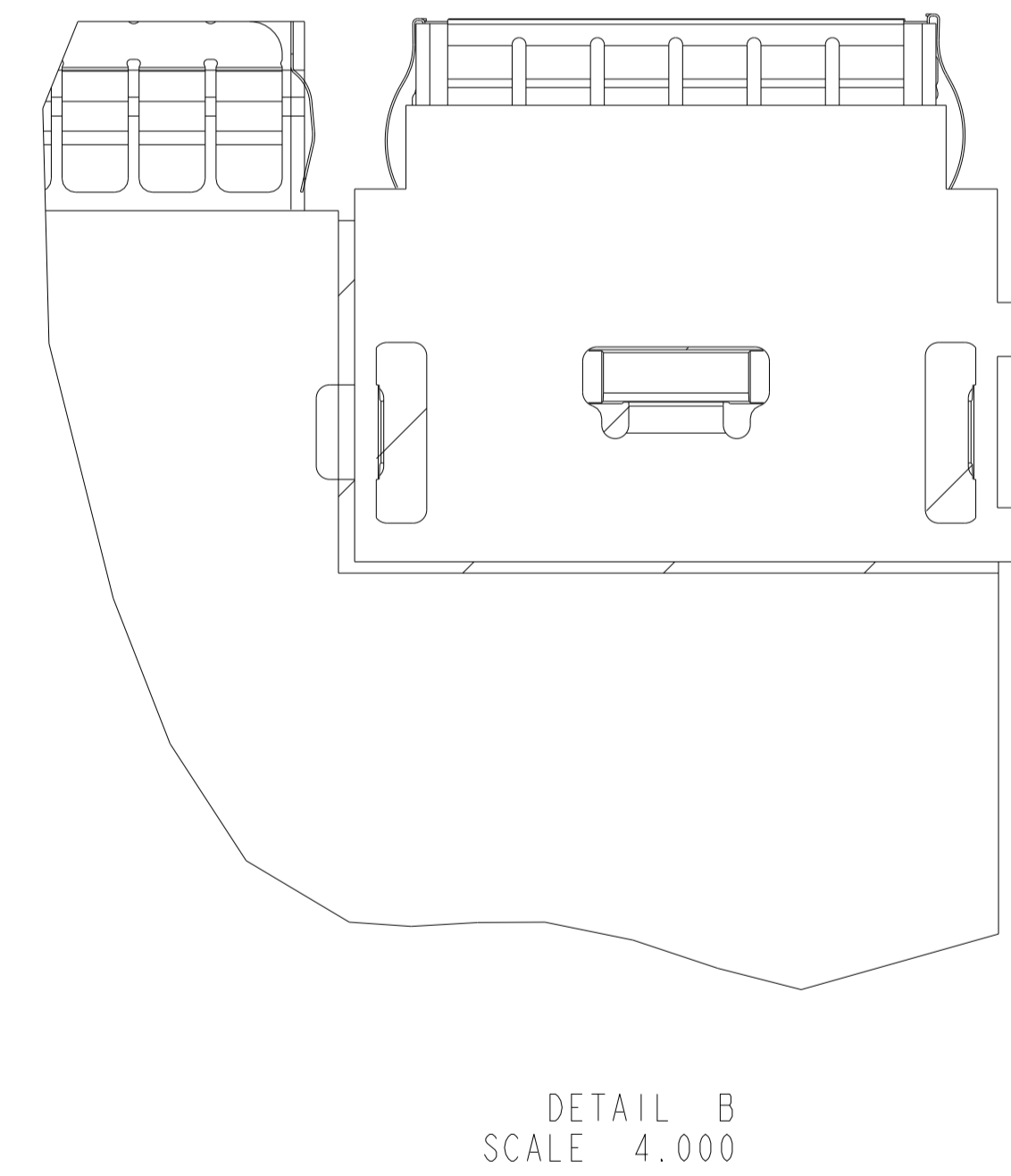
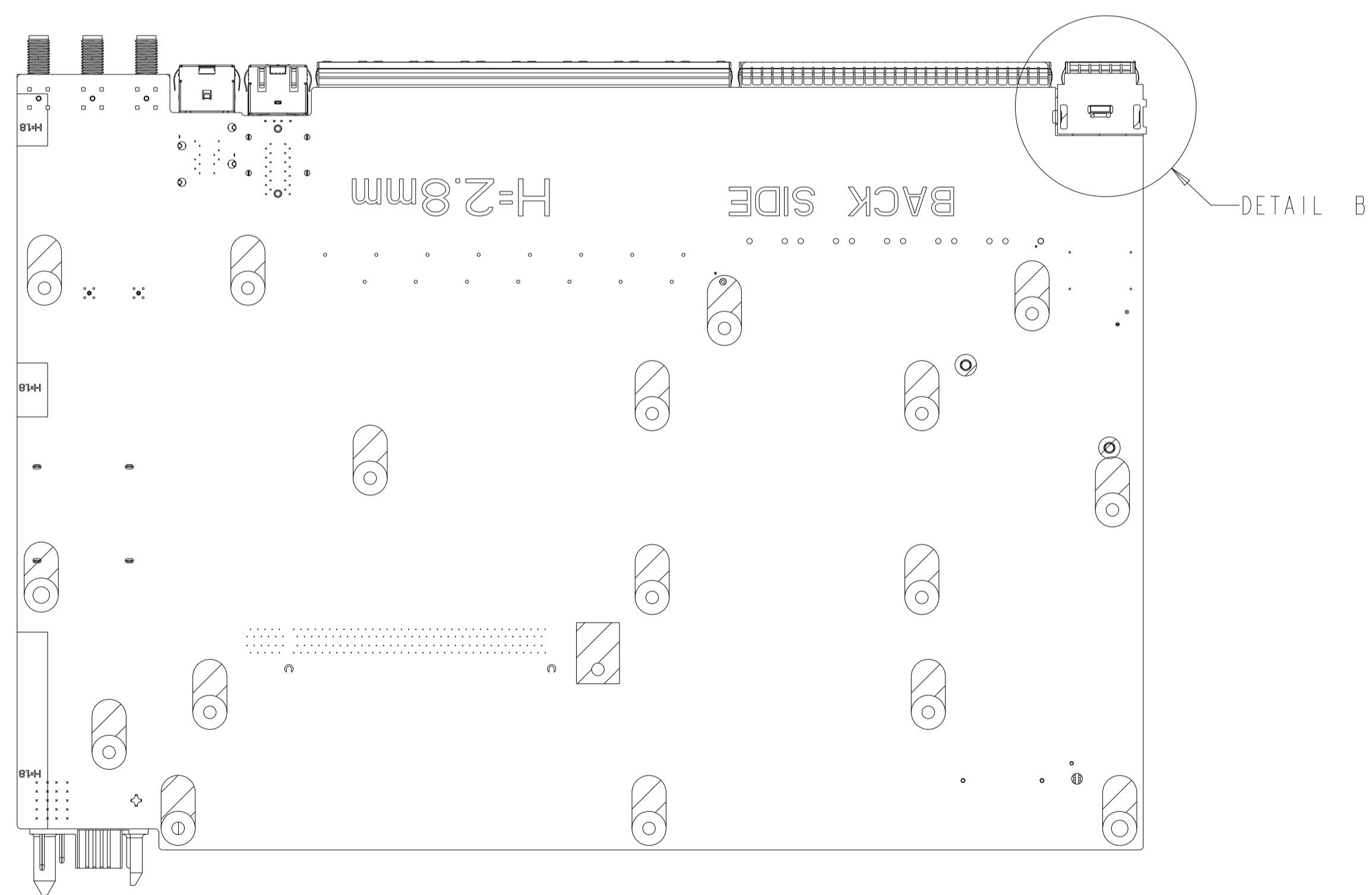
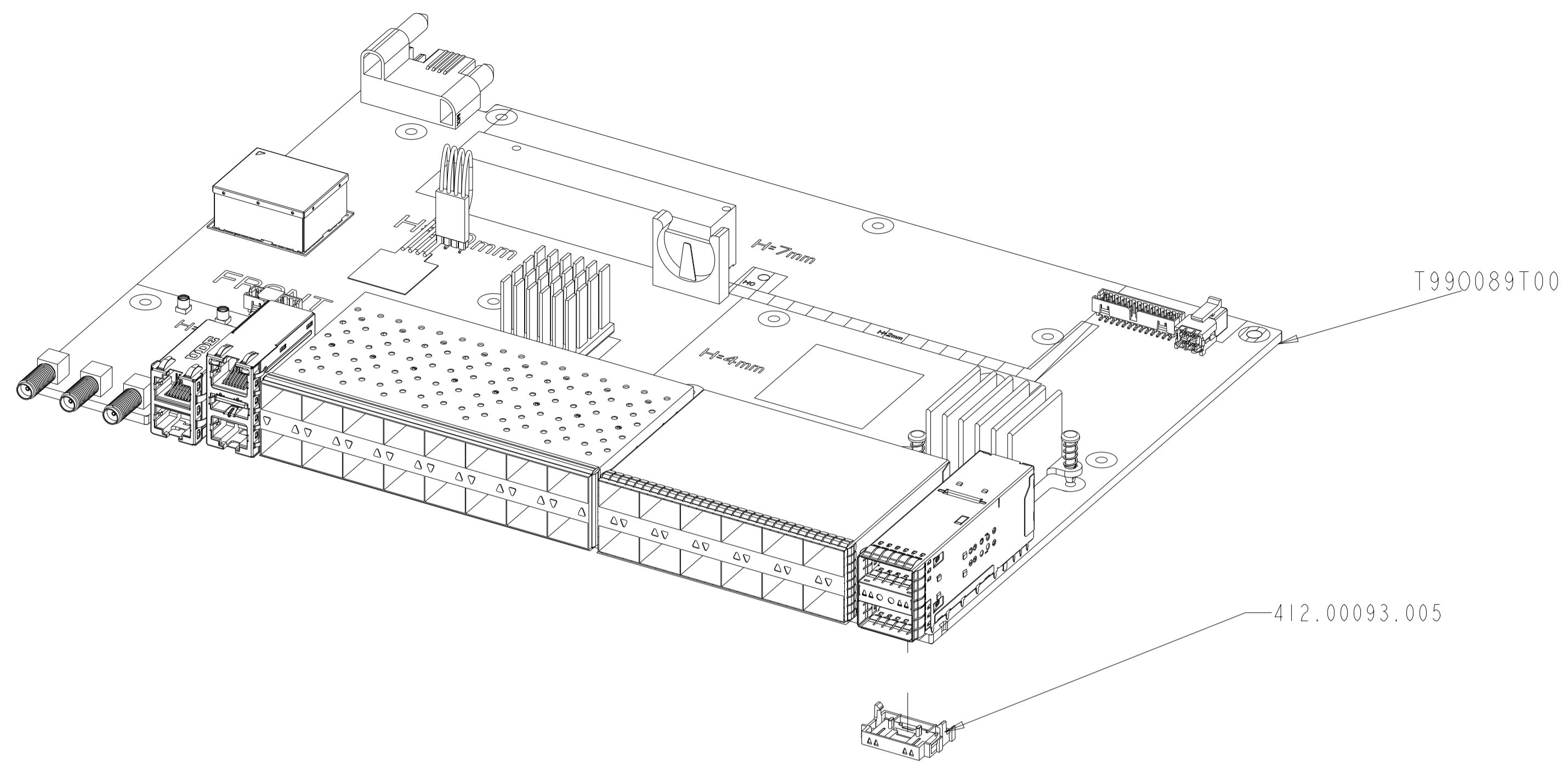


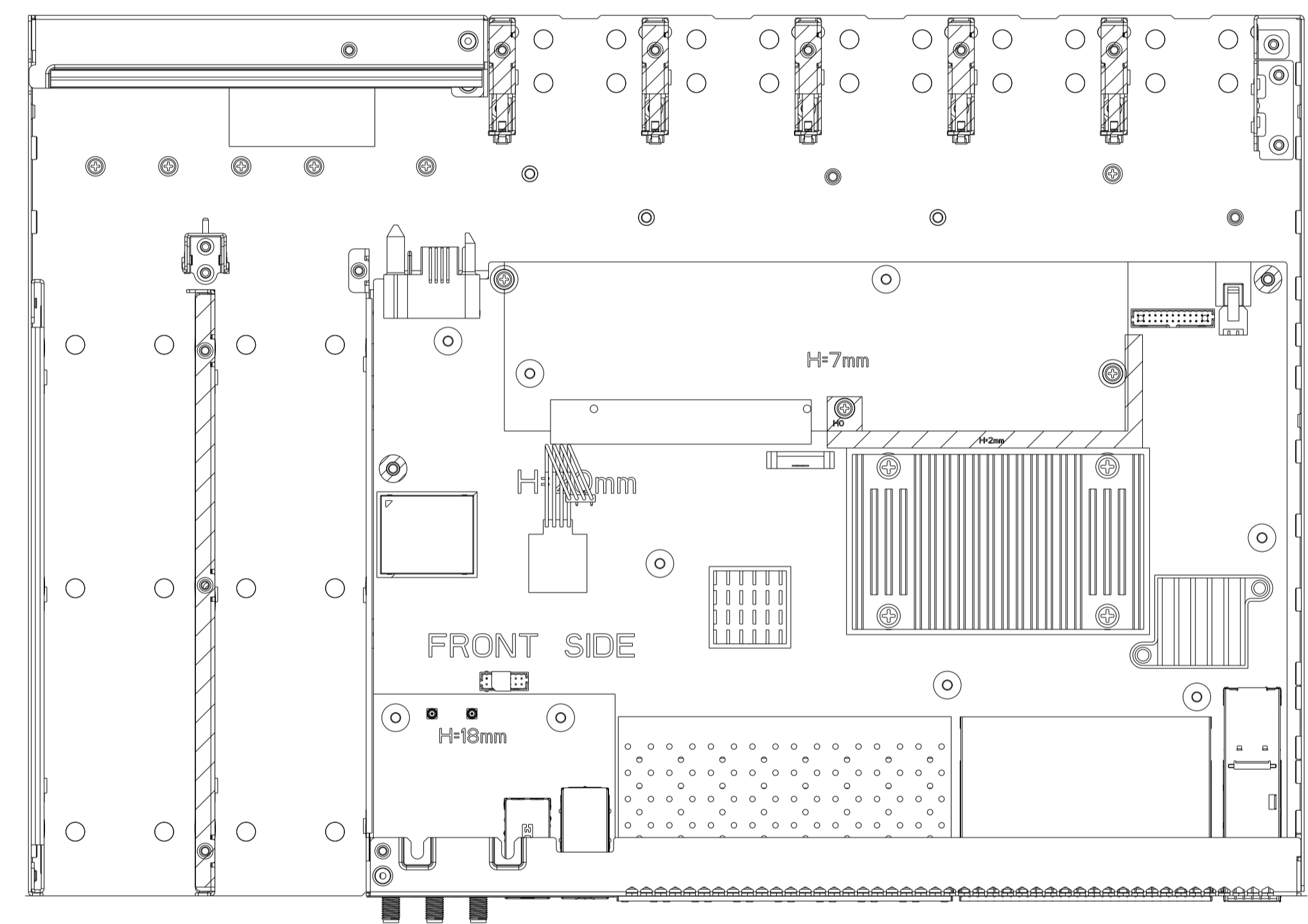
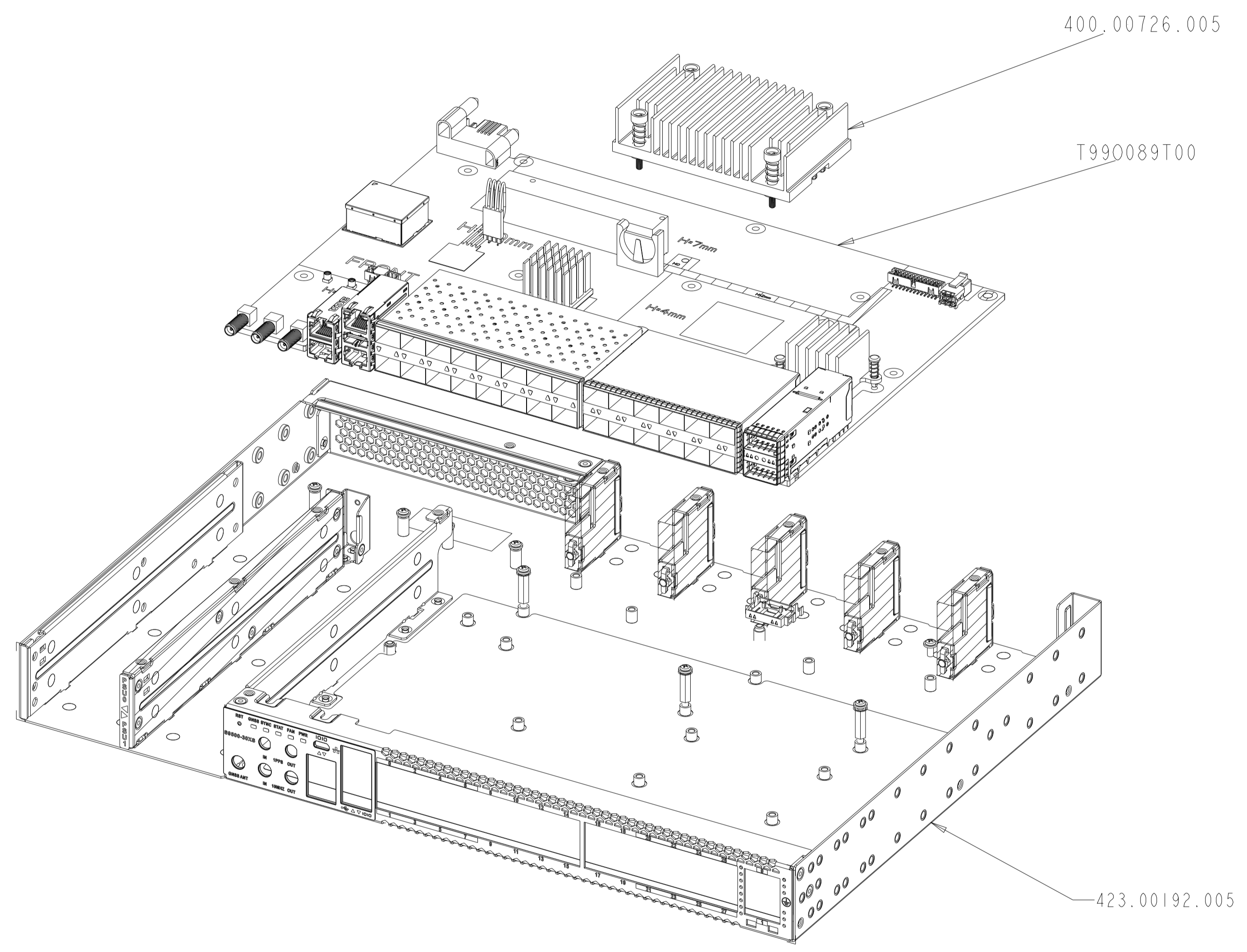
VER.	MARK.	DCR/ECN NO.	DATE	UPDATE DESCRIPTION	SIGNATURE



STEP-1 (SWITCH BOARD SUB-ASSEMBLY, INCLUDE LIGHT PIPE QSFP.)

MATERIAL (SPEC.)		SEE NOTES	SCALE																																																																													
FINISH		SEE NOTES	SHEET																																																																													
<table border="1"> <thead> <tr> <th>Select</th> <th>A</th> <th>B</th> <th>C</th> <th>EPS</th> <th>FPT</th> <th>BAG</th> <th>CTN</th> <th>LAB</th> <th>USR</th> </tr> </thead> <tbody> <tr> <td>0-6</td> <td>0</td> <td>55</td> <td>0</td> <td>05</td> <td>10</td> <td></td> <td></td> <td></td> <td>12</td> </tr> <tr> <td>6-30</td> <td>0</td> <td>10</td> <td>0</td> <td>15</td> <td>20</td> <td>0</td> <td>50</td> <td>50</td> <td>3</td> </tr> <tr> <td>30-120</td> <td>0</td> <td>15</td> <td>0</td> <td>20</td> <td>30</td> <td>0</td> <td>50</td> <td>5</td> <td>0</td> </tr> <tr> <td>120-300</td> <td>0</td> <td>20</td> <td>0</td> <td>30</td> <td>40</td> <td>0</td> <td>50</td> <td>10</td> <td>0</td> </tr> <tr> <td>300-450</td> <td>0</td> <td>25</td> <td>0</td> <td>40</td> <td>50</td> <td>0</td> <td>50</td> <td>15</td> <td>0</td> </tr> <tr> <td>450-600</td> <td>0</td> <td>30</td> <td>0</td> <td>50</td> <td>60</td> <td>0</td> <td>50</td> <td>20</td> <td>0</td> </tr> </tbody> </table>				Select	A	B	C	EPS	FPT	BAG	CTN	LAB	USR	0-6	0	55	0	05	10				12	6-30	0	10	0	15	20	0	50	50	3	30-120	0	15	0	20	30	0	50	5	0	120-300	0	20	0	30	40	0	50	10	0	300-450	0	25	0	40	50	0	50	15	0	450-600	0	30	0	50	60	0	50	20	0	<table border="1"> <thead> <tr> <th>UNIT</th> <th>PART NAME</th> <th>DESIGNED</th> </tr> </thead> <tbody> <tr> <td>A1</td> <td>CSGR ASSEMBLY STEP-1</td> <td>Calvin</td> </tr> </tbody> </table>	UNIT	PART NAME	DESIGNED	A1	CSGR ASSEMBLY STEP-1	Calvin
Select	A	B	C	EPS	FPT	BAG	CTN	LAB	USR																																																																							
0-6	0	55	0	05	10				12																																																																							
6-30	0	10	0	15	20	0	50	50	3																																																																							
30-120	0	15	0	20	30	0	50	5	0																																																																							
120-300	0	20	0	30	40	0	50	10	0																																																																							
300-450	0	25	0	40	50	0	50	15	0																																																																							
450-600	0	30	0	50	60	0	50	20	0																																																																							
UNIT	PART NAME	DESIGNED																																																																														
A1	CSGR ASSEMBLY STEP-1	Calvin																																																																														
<table border="1"> <thead> <tr> <th>MODEL</th> <th>PART NO.</th> <th>APPROVED</th> </tr> </thead> <tbody> <tr> <td>CUSTOMER MODEL</td> <td>CUSTOMER PART NO.</td> <td>Jason</td> </tr> </tbody> </table>		MODEL	PART NO.	APPROVED	CUSTOMER MODEL	CUSTOMER PART NO.	Jason	<table border="1"> <thead> <tr> <th>SCALE</th> <th>SHEET</th> </tr> </thead> <tbody> <tr> <td>SCALE 4.000</td> <td>SHEET</td> </tr> </tbody> </table>	SCALE	SHEET	SCALE 4.000	SHEET																																																																				
MODEL	PART NO.	APPROVED																																																																														
CUSTOMER MODEL	CUSTOMER PART NO.	Jason																																																																														
SCALE	SHEET																																																																															
SCALE 4.000	SHEET																																																																															

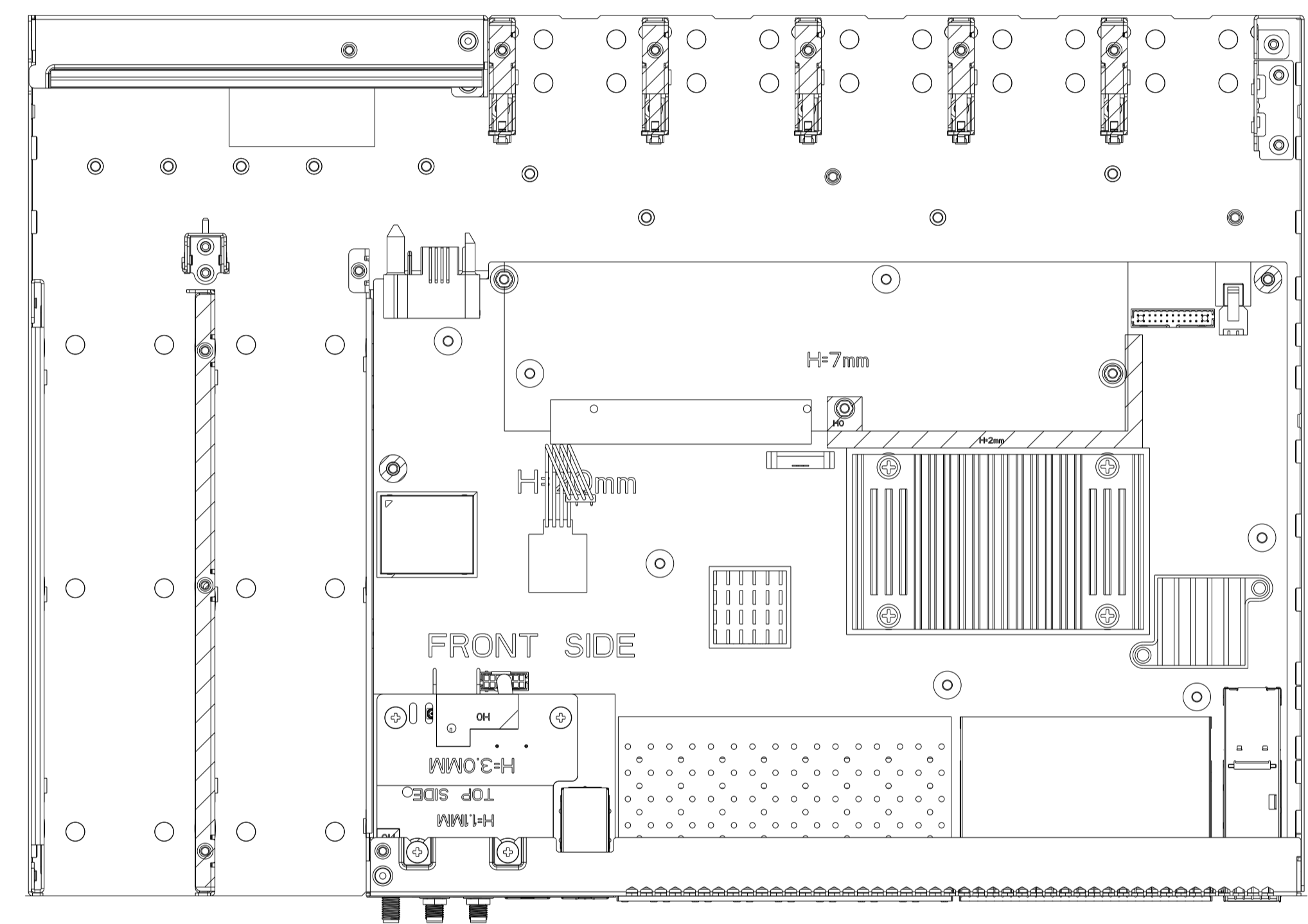
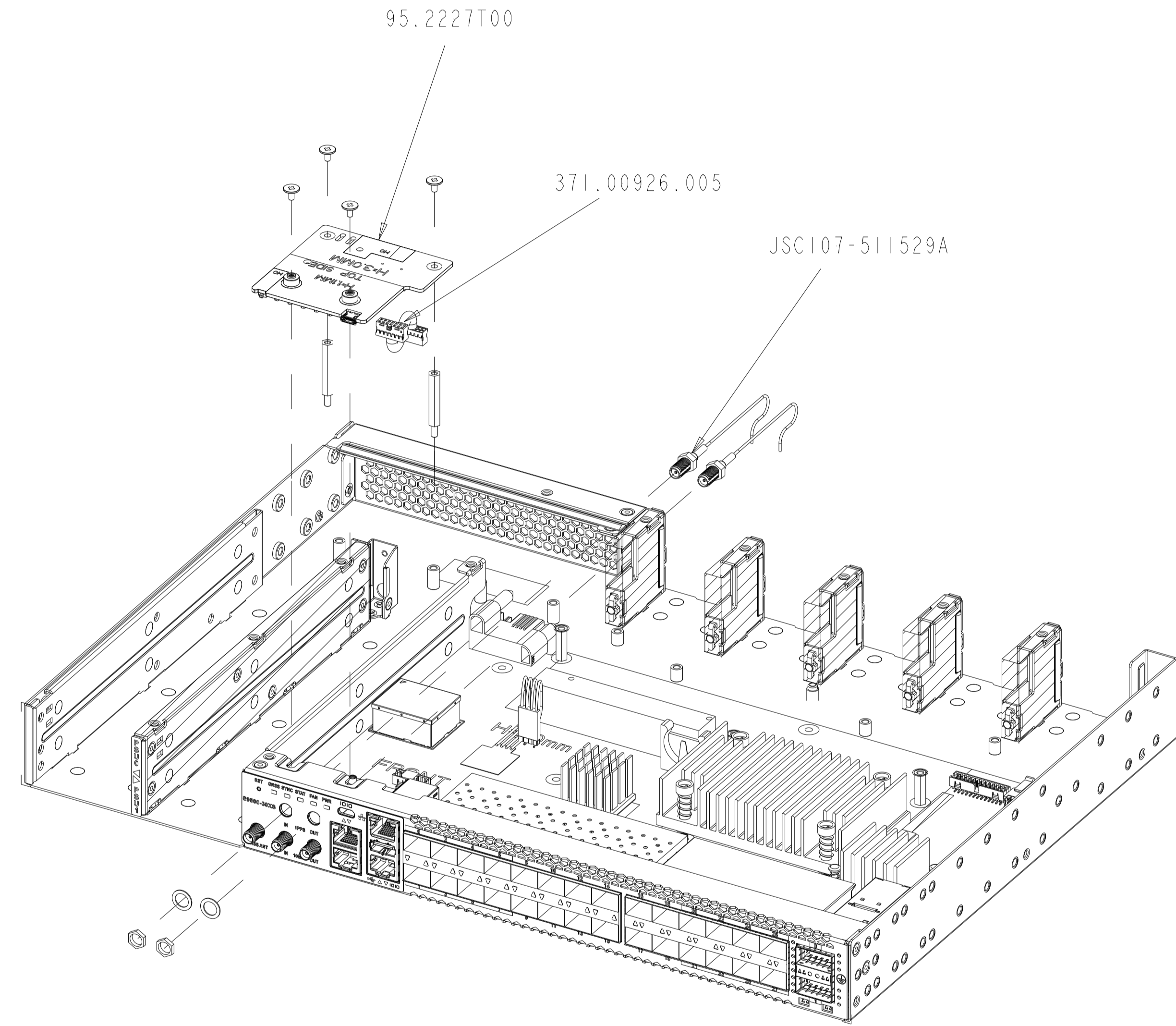
VER.	MARK.	DCR/ECCN NO.	DATE	UPDATE DESCRIPTION	SIGNATURE



STEP-2 (SWITCH BOARD-ASM INSTALL, INCLUDE MAC HEATSINK.)

MATERIAL (SPEC.)	SEE NOTES	SCALE																																																																																	
FINISH	SEE NOTES	SHEET																																																																																	
<table border="1"> <tr> <th>Select</th> <th>A</th> <th>B</th> <th>C</th> <th>EPS</th> <th>FPT</th> <th>BAG</th> <th>CTN</th> <th>LAB</th> <th>USR</th> </tr> <tr> <td>0-6</td> <td>0</td> <td>55</td> <td>0</td> <td>05</td> <td>0</td> <td>10</td> <td></td> <td></td> <td>0</td> </tr> <tr> <td>6-30</td> <td>0</td> <td>10</td> <td>0</td> <td>15</td> <td>0</td> <td>20</td> <td>0</td> <td>50</td> <td>3</td> </tr> <tr> <td>30-120</td> <td>0</td> <td>15</td> <td>0</td> <td>20</td> <td>0</td> <td>30</td> <td>0</td> <td>50</td> <td>5</td> </tr> <tr> <td>120-300</td> <td>0</td> <td>20</td> <td>0</td> <td>30</td> <td>0</td> <td>40</td> <td>0</td> <td>50</td> <td>7</td> </tr> <tr> <td>300-450</td> <td>0</td> <td>25</td> <td>0</td> <td>40</td> <td>0</td> <td>50</td> <td>0</td> <td>50</td> <td>10</td> </tr> <tr> <td>450-600</td> <td>0</td> <td>30</td> <td>0</td> <td>50</td> <td>0</td> <td>60</td> <td>0</td> <td>50</td> <td>15</td> </tr> <tr> <td>600-6000</td> <td>0</td> <td>30</td> <td>0</td> <td>60</td> <td>0</td> <td>60</td> <td>0</td> <td>50</td> <td>20</td> </tr> </table>	Select	A	B	C	EPS	FPT	BAG	CTN	LAB	USR	0-6	0	55	0	05	0	10			0	6-30	0	10	0	15	0	20	0	50	3	30-120	0	15	0	20	0	30	0	50	5	120-300	0	20	0	30	0	40	0	50	7	300-450	0	25	0	40	0	50	0	50	10	450-600	0	30	0	50	0	60	0	50	15	600-6000	0	30	0	60	0	60	0	50	20	UNIT	PART NAME	DESIGNED
Select	A	B	C	EPS	FPT	BAG	CTN	LAB	USR																																																																										
0-6	0	55	0	05	0	10			0																																																																										
6-30	0	10	0	15	0	20	0	50	3																																																																										
30-120	0	15	0	20	0	30	0	50	5																																																																										
120-300	0	20	0	30	0	40	0	50	7																																																																										
300-450	0	25	0	40	0	50	0	50	10																																																																										
450-600	0	30	0	50	0	60	0	50	15																																																																										
600-6000	0	30	0	60	0	60	0	50	20																																																																										
	A1	CSGR ASSEMBLY STEP-2	Calvin																																																																																
		CUSTOMER MODEL	APPROVED																																																																																
		CUSTOMER PART NO.	Jason																																																																																

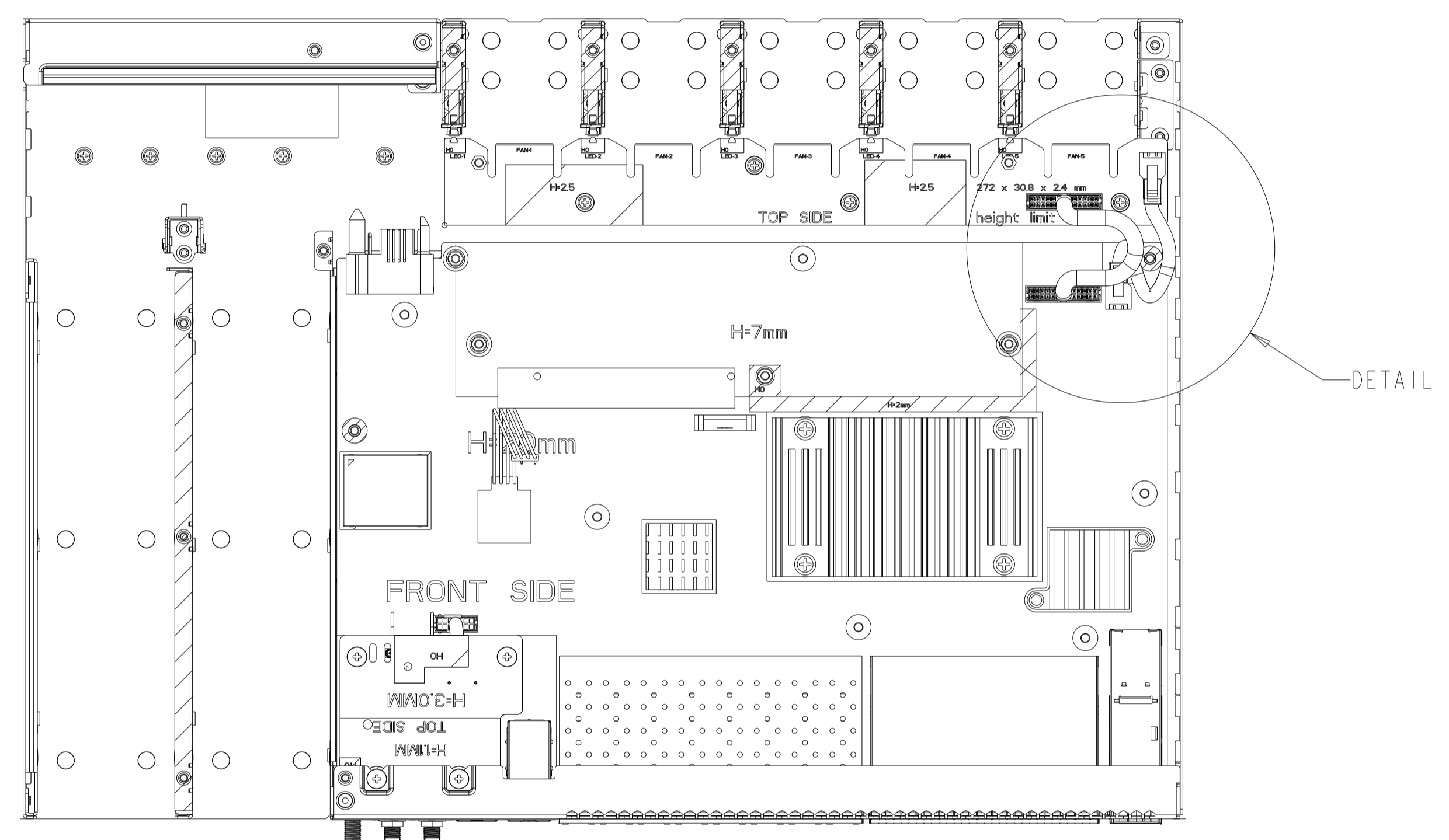
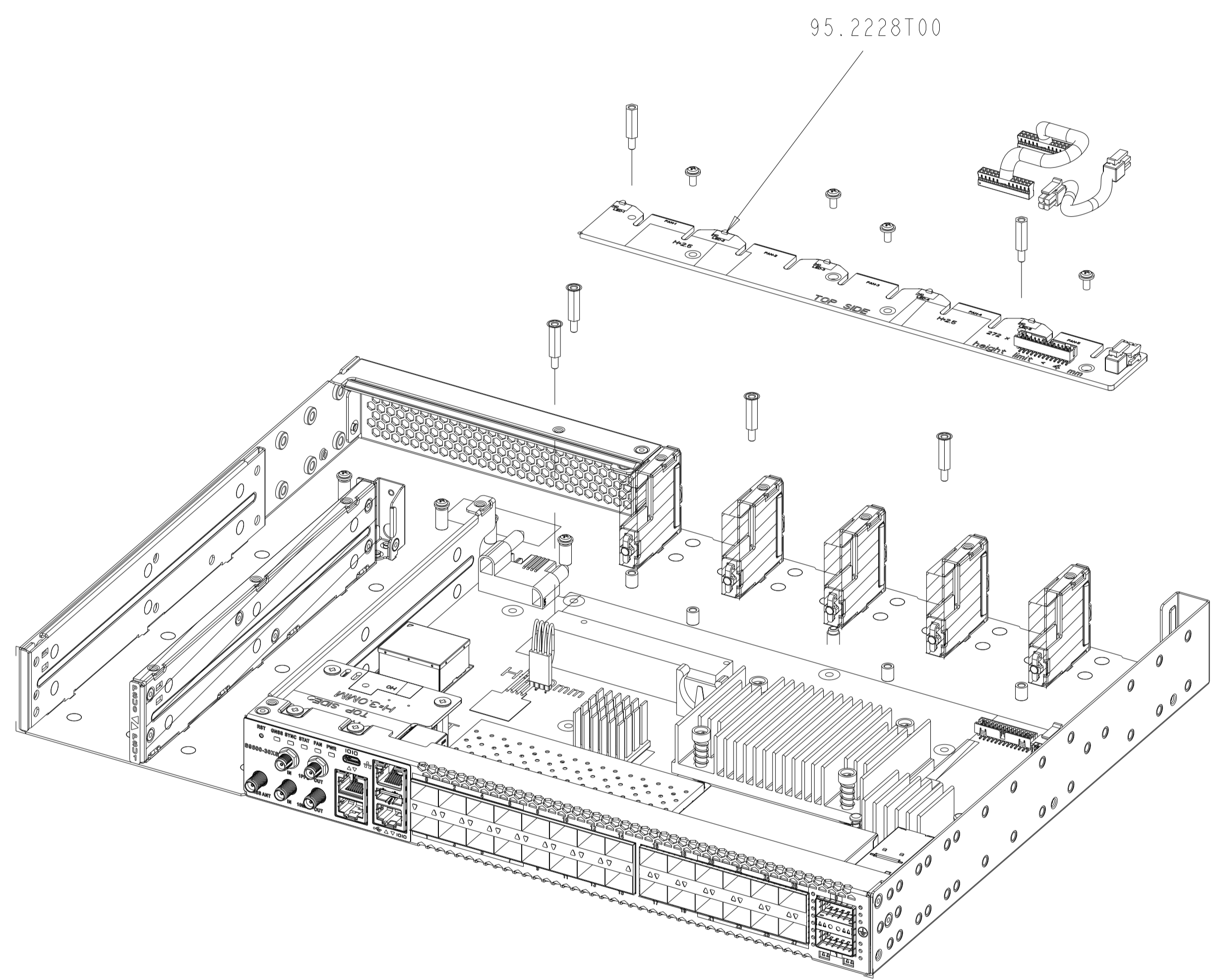
VER.	MARK.	DCR/ECCN NO.	DATE	UPDATE DESCRIPTION	SIGNATURE



STEP-3 (LED BOARD-ASM INSTALL, INCLUDE CABLES.)

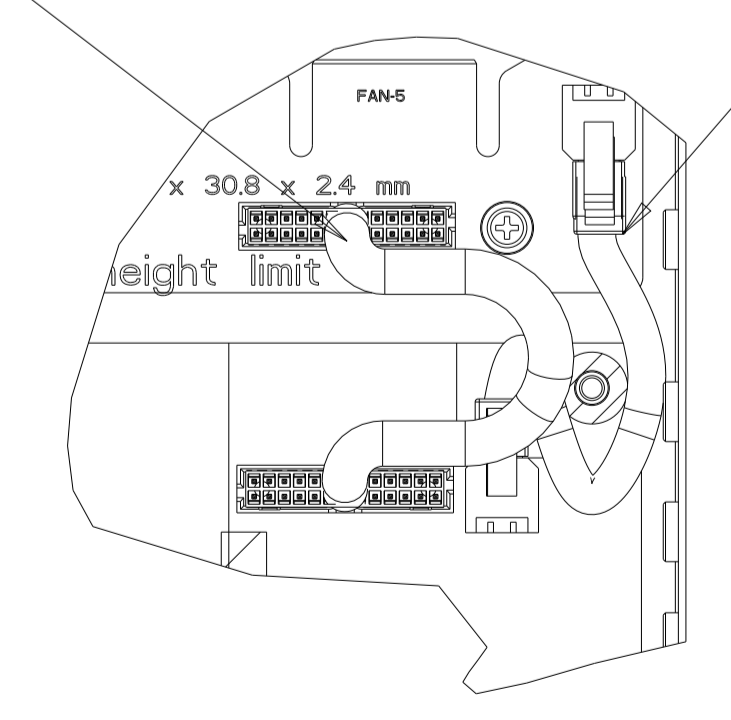
MATERIAL (SPEC.)	SEE NOTES	SCALE	<b>ufiSpace</b>																																																																																		
FINISH	SEE NOTES	SHEET																																																																																			
<table border="1"> <thead> <tr> <th>Select</th> <th>A</th> <th>B</th> <th>C</th> <th>EPS</th> <th>FPT</th> <th>BAG</th> <th>CTN</th> <th>LAB</th> <th>USR</th> </tr> </thead> <tbody> <tr> <td>0-6</td> <td>0</td> <td>55</td> <td>0</td> <td>05</td> <td>0</td> <td>10</td> <td></td> <td></td> <td>0</td> </tr> <tr> <td>6-30</td> <td>0</td> <td>10</td> <td>0</td> <td>15</td> <td>0</td> <td>20</td> <td>0</td> <td>50</td> <td>3</td> </tr> <tr> <td>30-120</td> <td>0</td> <td>15</td> <td>0</td> <td>20</td> <td>0</td> <td>30</td> <td>0</td> <td>50</td> <td>5</td> </tr> <tr> <td>120-300</td> <td>0</td> <td>20</td> <td>0</td> <td>30</td> <td>0</td> <td>40</td> <td>0</td> <td>50</td> <td>7</td> </tr> <tr> <td>300-450</td> <td>0</td> <td>25</td> <td>0</td> <td>40</td> <td>0</td> <td>50</td> <td>0</td> <td>50</td> <td>10</td> </tr> <tr> <td>450-600</td> <td>0</td> <td>30</td> <td>0</td> <td>50</td> <td>0</td> <td>60</td> <td>0</td> <td>50</td> <td>15</td> </tr> <tr> <td>600-600</td> <td>0</td> <td>30</td> <td>0</td> <td>60</td> <td>0</td> <td>60</td> <td>0</td> <td>50</td> <td>20</td> </tr> </tbody> </table>			Select	A	B	C	EPS	FPT	BAG	CTN	LAB	USR	0-6	0	55	0	05	0	10			0	6-30	0	10	0	15	0	20	0	50	3	30-120	0	15	0	20	0	30	0	50	5	120-300	0	20	0	30	0	40	0	50	7	300-450	0	25	0	40	0	50	0	50	10	450-600	0	30	0	50	0	60	0	50	15	600-600	0	30	0	60	0	60	0	50	20	PART NAME	UNIT	DESIGNED
Select	A	B	C	EPS	FPT	BAG	CTN	LAB	USR																																																																												
0-6	0	55	0	05	0	10			0																																																																												
6-30	0	10	0	15	0	20	0	50	3																																																																												
30-120	0	15	0	20	0	30	0	50	5																																																																												
120-300	0	20	0	30	0	40	0	50	7																																																																												
300-450	0	25	0	40	0	50	0	50	10																																																																												
450-600	0	30	0	50	0	60	0	50	15																																																																												
600-600	0	30	0	60	0	60	0	50	20																																																																												
			CSGR ASSEMBLY STEP-3	A1	Calvin																																																																																
			CUSTOMER MODEL	CUSTOMER PART NO.	APPROVED																																																																																
					Jason																																																																																

VER.	MARK.	DCR/ECCN NO.	DATE	UPDATE DESCRIPTION	SIGNATURE



JSWDH2601CG00

JSWDH0401CG006

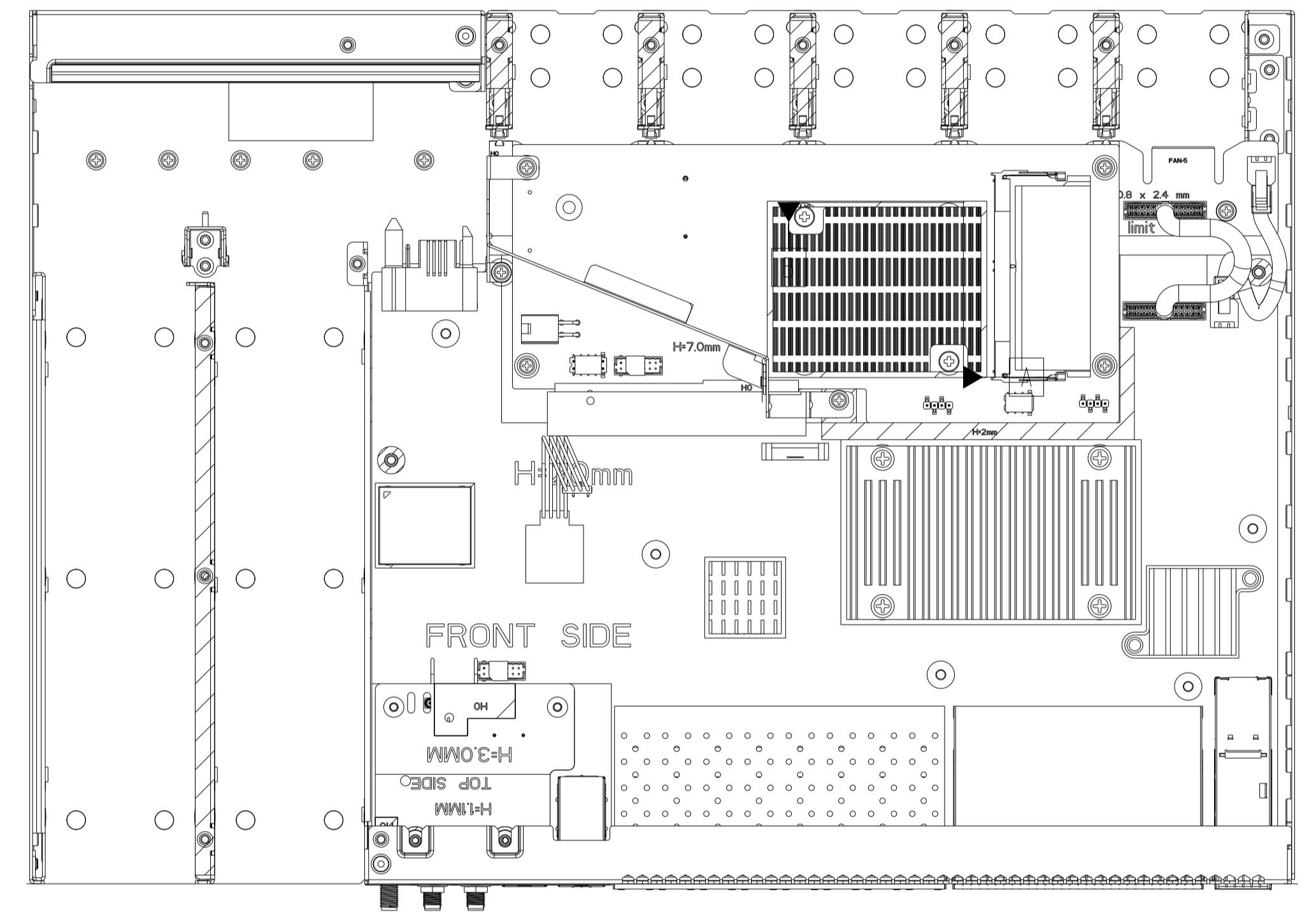
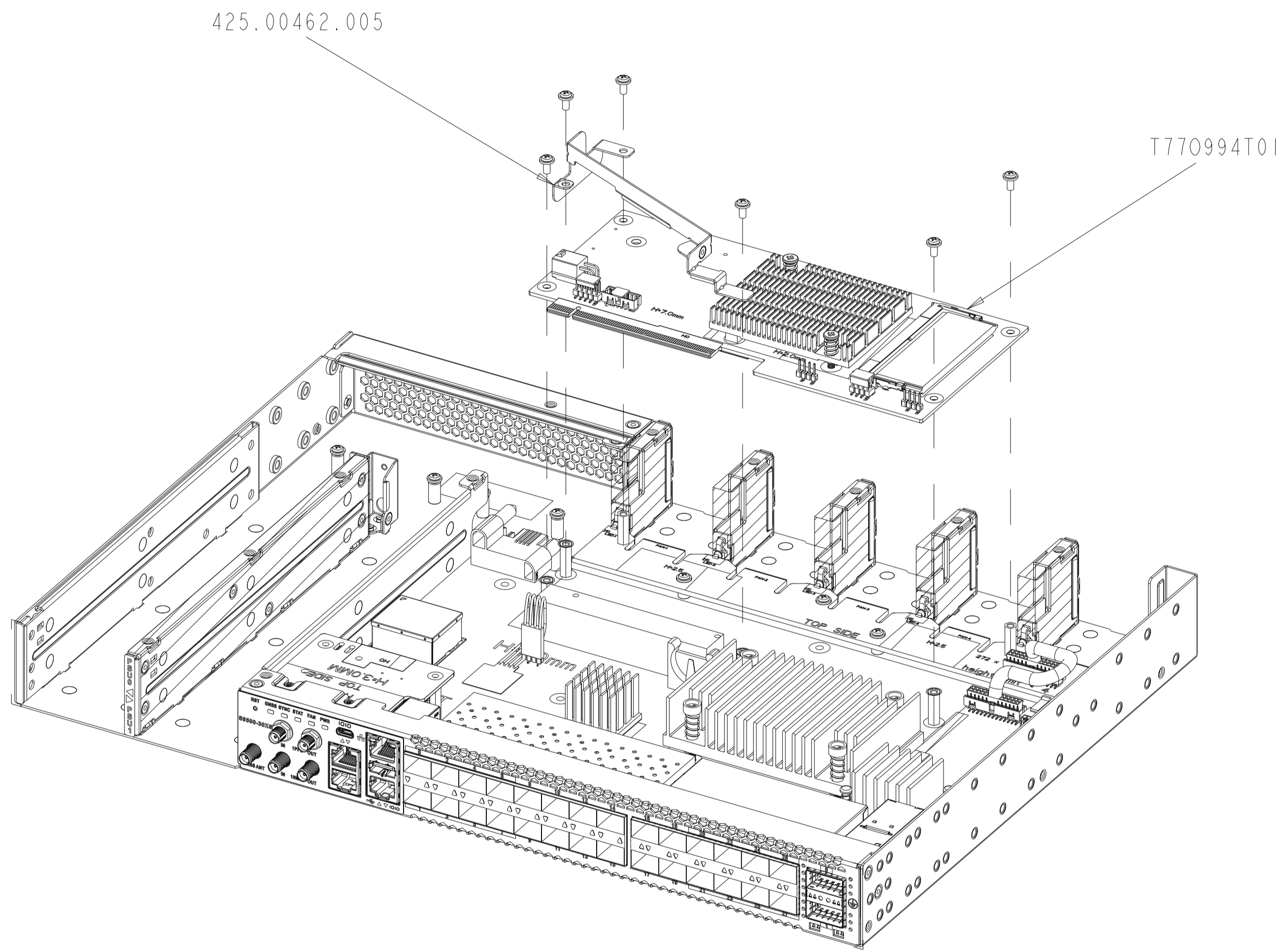


DETAIL D  
SCALE 1.000

STEP-4 (FAN BOARD-ASM INSTALL, INCLUDE CABLES.)

MATERIAL (SPEC.)	SEE NOTES	SCALE	ufiSpace	
FINISH	SEE NOTES	SHEET	CSGR ASSEMBLY STEP-4	
SELECT	UNIT	PART NAME	CUSTOMER MODEL	DESIGNED
0-6	mm	CSGR	CSGR	Calvin
6-30	mm			
30-120	mm			
120-180	mm			
180-250	mm			
250-300	mm			
300-600	mm			
DRAFT TOLERANCE ±.21 CRITICAL DIM. MARK *				

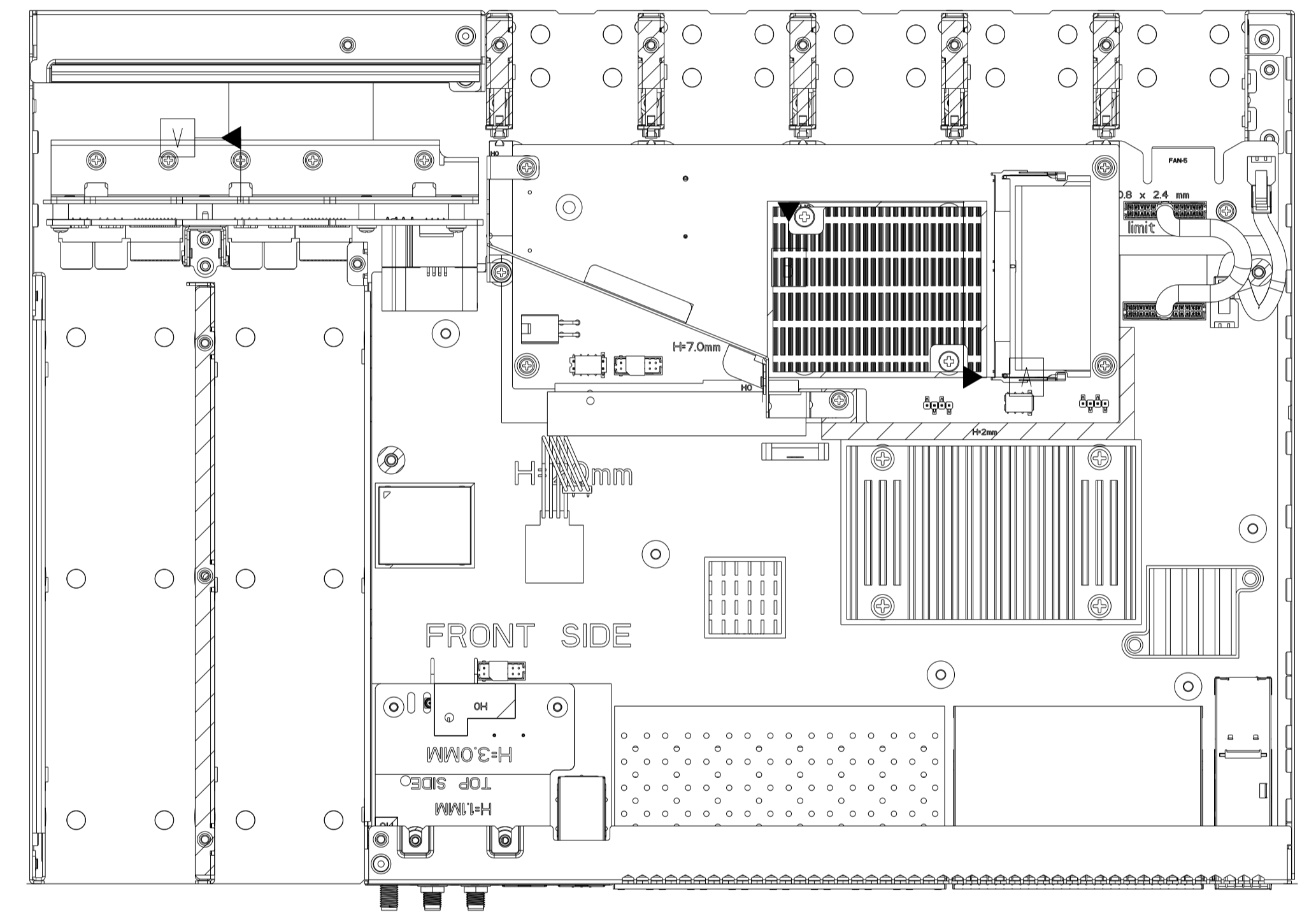
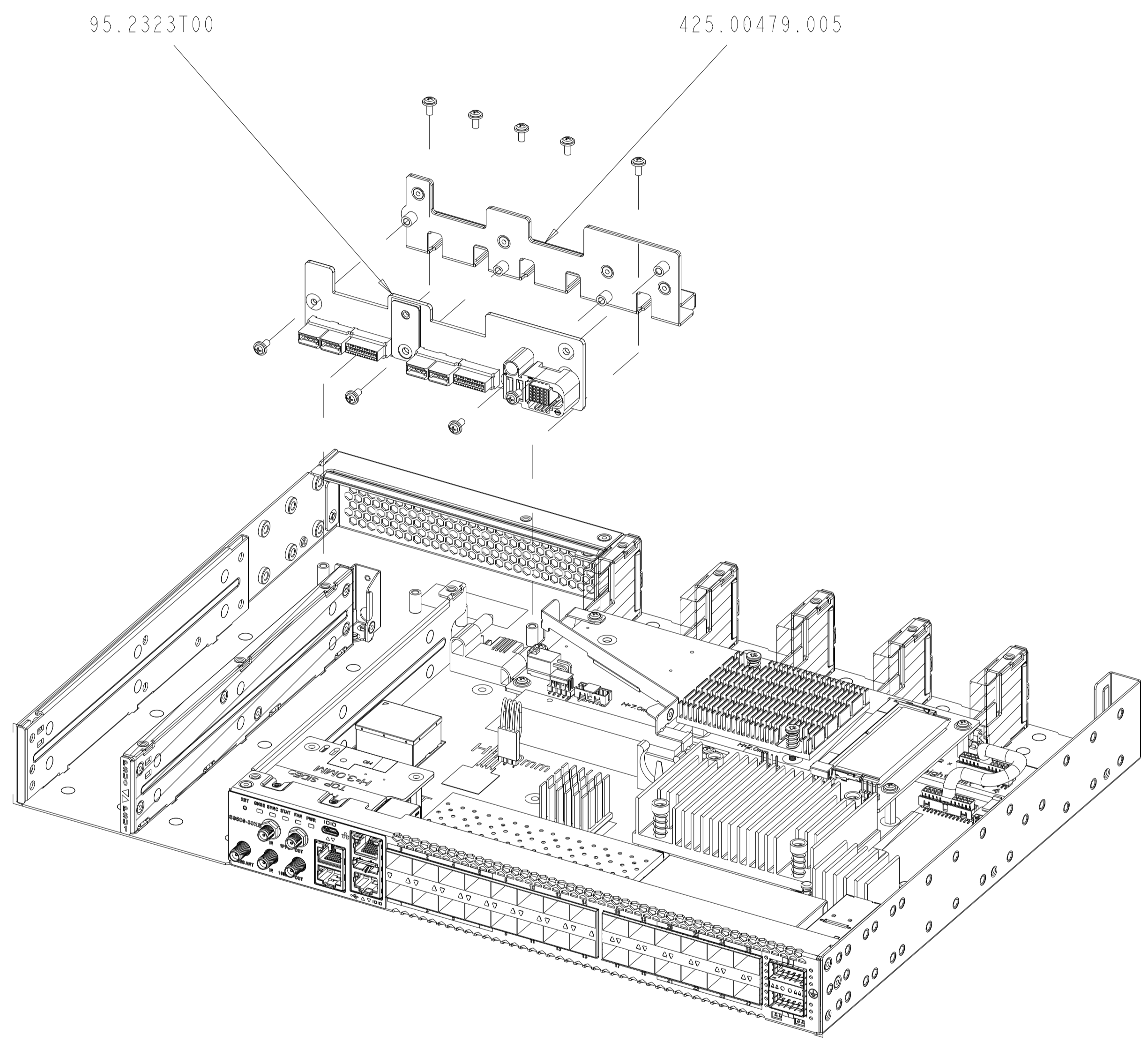
VER.	MARK.	DCR/ECHN NO.	DATE	UPDATE DESCRIPTION	SIGNATURE



STEP-5 (CPU BOARD-ASM INSTALL, INCLUDE AIR BAFFLE BRACKET)

MATERIAL (SPEC.)	SEE NOTES	SCALE																																																																							
FINISH	SEE NOTES	SHEET																																																																							
<table border="1"> <thead> <tr> <th>Select</th> <th>A</th> <th>B</th> <th>C</th> <th>EPS</th> <th>FPT</th> <th>BAG</th> <th>CTN</th> <th>LAB</th> <th>USR</th> </tr> </thead> <tbody> <tr> <td>0-6</td> <td>0</td> <td>55</td> <td>0</td> <td>05</td> <td>0</td> <td>10</td> <td></td> <td></td> <td>17</td> </tr> <tr> <td>6-30</td> <td>0</td> <td>10</td> <td>0</td> <td>15</td> <td>0</td> <td>20</td> <td>0</td> <td>50</td> <td>3</td> </tr> <tr> <td>30-120</td> <td>0</td> <td>15</td> <td>0</td> <td>20</td> <td>0</td> <td>30</td> <td>0</td> <td>50</td> <td>5</td> </tr> <tr> <td>120-300</td> <td>0</td> <td>20</td> <td>0</td> <td>30</td> <td>0</td> <td>40</td> <td>0</td> <td>50</td> <td>7</td> </tr> <tr> <td>300-450</td> <td>0</td> <td>25</td> <td>0</td> <td>40</td> <td>0</td> <td>50</td> <td>0</td> <td>50</td> <td>10</td> </tr> <tr> <td>450-600</td> <td>0</td> <td>30</td> <td>0</td> <td>50</td> <td>0</td> <td>60</td> <td>0</td> <td>50</td> <td>15</td> </tr> </tbody> </table>	Select	A	B	C	EPS	FPT	BAG	CTN	LAB	USR	0-6	0	55	0	05	0	10			17	6-30	0	10	0	15	0	20	0	50	3	30-120	0	15	0	20	0	30	0	50	5	120-300	0	20	0	30	0	40	0	50	7	300-450	0	25	0	40	0	50	0	50	10	450-600	0	30	0	50	0	60	0	50	15	UNIT	PART NAME	CSGR ASSEMBLY STEP-5
Select	A	B	C	EPS	FPT	BAG	CTN	LAB	USR																																																																
0-6	0	55	0	05	0	10			17																																																																
6-30	0	10	0	15	0	20	0	50	3																																																																
30-120	0	15	0	20	0	30	0	50	5																																																																
120-300	0	20	0	30	0	40	0	50	7																																																																
300-450	0	25	0	40	0	50	0	50	10																																																																
450-600	0	30	0	50	0	60	0	50	15																																																																
MODEL	CSGR	PART NO.	DESIGNED																																																																						
CUSTOMER MODEL		CUSTOMER PART NO.	APPROVED																																																																						
			Jason																																																																						

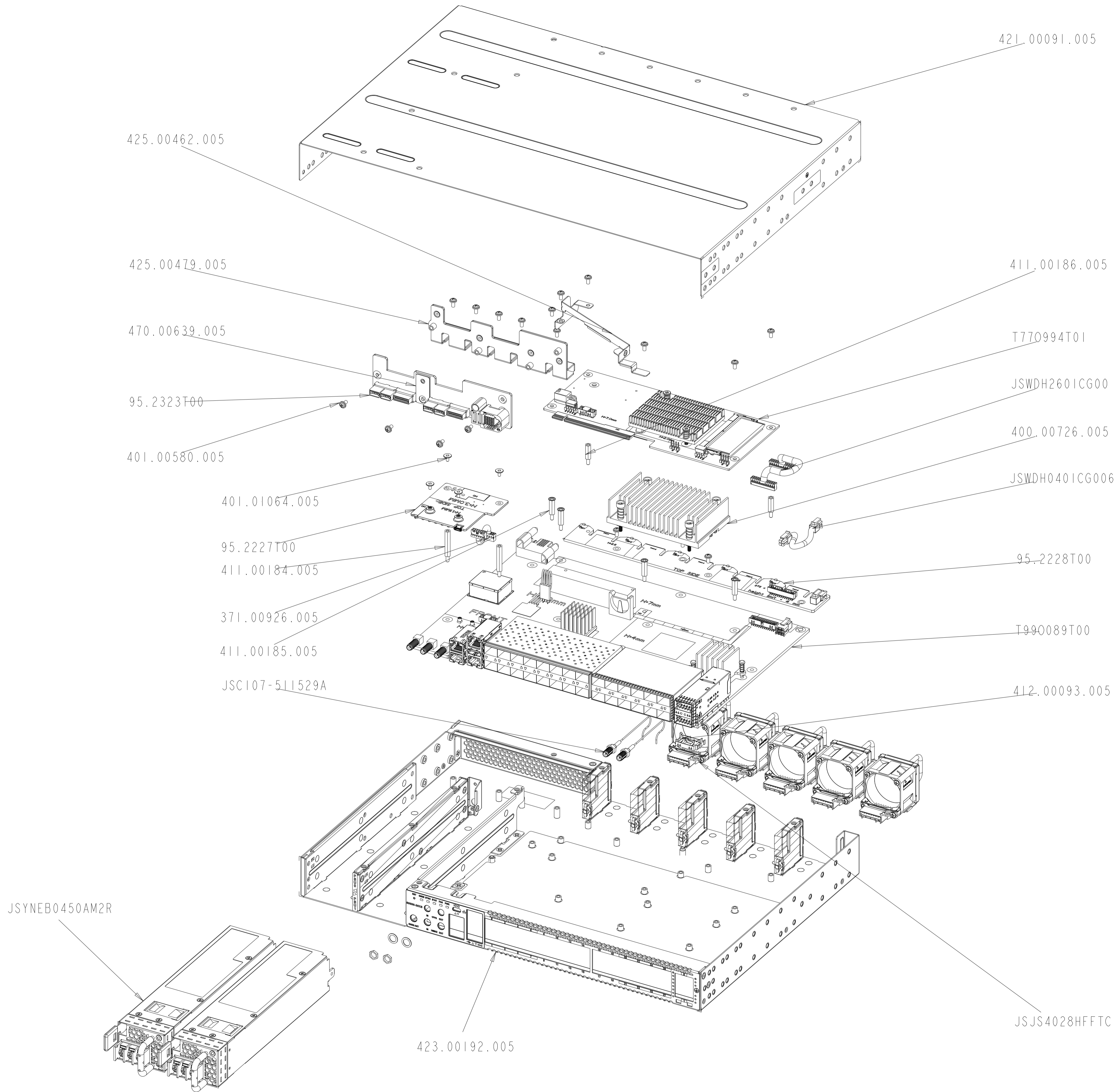
VER.	MARK.	DCR/ECCN NO.	DATE	UPDATE DESCRIPTION	SIGNATURE



STEP-6 (PSU BOARD-ASM INSTALL, INCLUDE PSU-BOARD BRACKET)

MATERIAL (SPEC.)	SEE NOTES	SCALE	ufiSpace	
FINISH	SEE NOTES	SHEET	CSGR ASSEMBLY STEP-6	
SELECT		UNIT	MODEL	DESIGNED
0-6	0.55 0.85 1.0	AI	CSGR	Calvin
6-30	0.10 0.15 0.20 0.30 0.50 1.00	SIZE	PART NO.	APPROVED
30-120	0.15 0.20 0.30 0.50 1.00 2.00 3.00			Jason
120-300	0.20 0.30 0.40 0.50 1.00 2.00 3.00 5.00		CUSTOMER MODEL	
300-450	0.25 0.40 0.50 1.00 2.00 3.00 5.00 10.00		CUSTOMER PART NO.	
450-600	0.30 0.50 1.00 2.00 3.00 5.00 10.00 20.00			
DRAFT TOLERANCE: ±.21 CRITICAL DIM. MARK *				

VER.	MARK.	DCR/ECCN NO.	DATE	UPDATE DESCRIPTION	SIGNATURE



371.00926.005	1
400.00726.005	1
401.00388.005	17
401.00580.005	26
401.01064.005	4
411.00184.005	2
411.00185.005	4
411.00186.005	2
412.00093.005	1
421.00091.005	1
423.00192.005	1
425.00462.005	1
425.00479.005	1
448.00275.005	5
470.00639.005	1
470.00641.005	1
470.00668.005	5
471.00066.005	1
471.00067.005	1
502.00464.015	1
95.2227T00	1
95.2228T00	1
95.2323T00	1
JSC107-511529A	2
JSJS4028HFFTC (JSJS4028HNN1DE)	5
JSWDH0401CG006	1
JSWDH2601CG00	1
JSYNEB0450AM2R	2
T770994T01	1
T990089T00	1
PART NO.	QTY

STEP-7 ( ALL EXPLODE DRAWING)

MATERIAL (SPEC.)	SEE NOTES	SCALE																																																																																	
FINISH	SEE NOTES	SHEET																																																																																	
<table border="1"> <thead> <tr> <th>Select</th> <th>A</th> <th>B</th> <th>C</th> <th>EPS</th> <th>FPE</th> <th>BAG</th> <th>CTN</th> <th>LABE</th> <th>USR</th> </tr> </thead> <tbody> <tr><td>0-6</td><td>10</td><td>25</td><td>10</td><td>10</td><td>10</td><td>10</td><td>10</td><td>10</td><td>10</td></tr> <tr><td>6-30</td><td>10</td><td>10</td><td>10</td><td>10</td><td>10</td><td>10</td><td>10</td><td>10</td><td>10</td></tr> <tr><td>30-120</td><td>10</td><td>10</td><td>10</td><td>10</td><td>10</td><td>10</td><td>10</td><td>10</td><td>10</td></tr> <tr><td>120-300</td><td>10</td><td>10</td><td>10</td><td>10</td><td>10</td><td>10</td><td>10</td><td>10</td><td>10</td></tr> <tr><td>300-450</td><td>10</td><td>10</td><td>10</td><td>10</td><td>10</td><td>10</td><td>10</td><td>10</td><td>10</td></tr> <tr><td>450-600</td><td>10</td><td>10</td><td>10</td><td>10</td><td>10</td><td>10</td><td>10</td><td>10</td><td>10</td></tr> <tr><td>600-6000</td><td>10</td><td>10</td><td>10</td><td>10</td><td>10</td><td>10</td><td>10</td><td>10</td><td>10</td></tr> </tbody> </table>			Select	A	B	C	EPS	FPE	BAG	CTN	LABE	USR	0-6	10	25	10	10	10	10	10	10	10	6-30	10	10	10	10	10	10	10	10	10	30-120	10	10	10	10	10	10	10	10	10	120-300	10	10	10	10	10	10	10	10	10	300-450	10	10	10	10	10	10	10	10	10	450-600	10	10	10	10	10	10	10	10	10	600-6000	10	10	10	10	10	10	10	10	10	UNIT
Select	A	B	C	EPS	FPE	BAG	CTN	LABE	USR																																																																										
0-6	10	25	10	10	10	10	10	10	10																																																																										
6-30	10	10	10	10	10	10	10	10	10																																																																										
30-120	10	10	10	10	10	10	10	10	10																																																																										
120-300	10	10	10	10	10	10	10	10	10																																																																										
300-450	10	10	10	10	10	10	10	10	10																																																																										
450-600	10	10	10	10	10	10	10	10	10																																																																										
600-6000	10	10	10	10	10	10	10	10	10																																																																										
PART NAME			CSGR ASSEMBLY STEP-7																																																																																
MODEL	CSGR	PART NO.	DESIGNED Calvin																																																																																
CUSTOMER MODEL	CUSTOMER PART NO.	APPROVED	Jason																																																																																