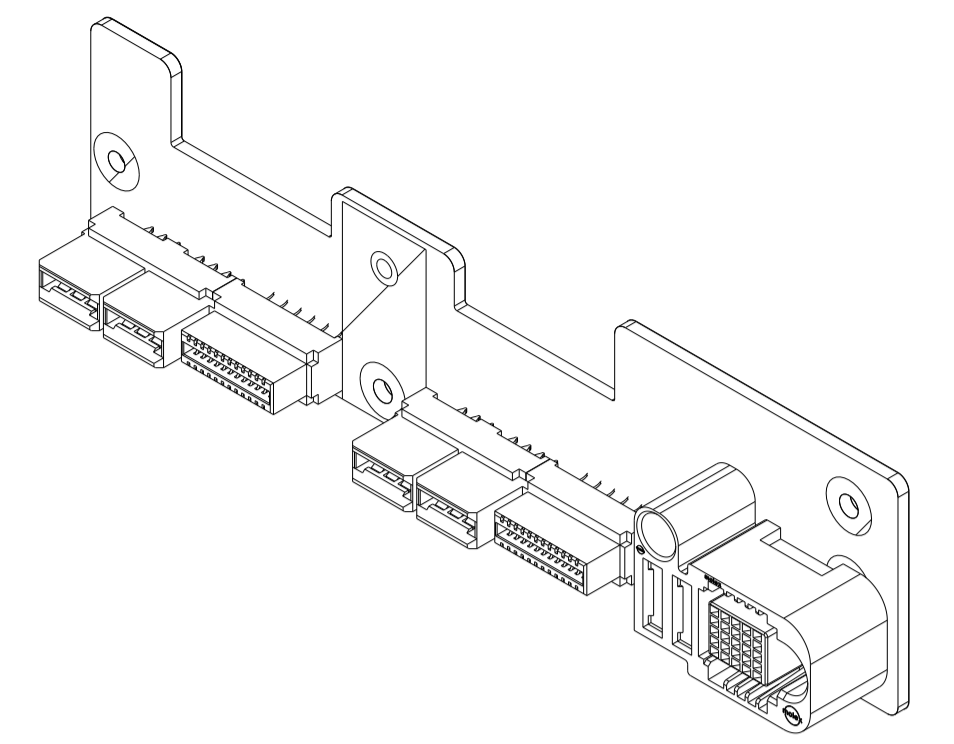
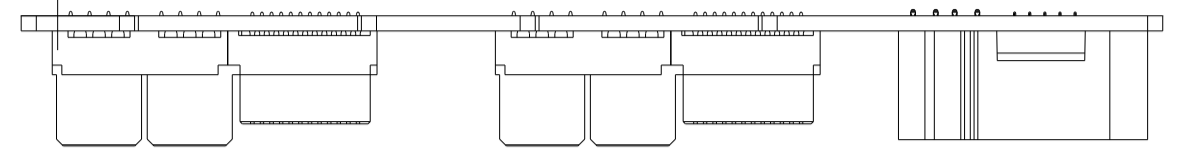
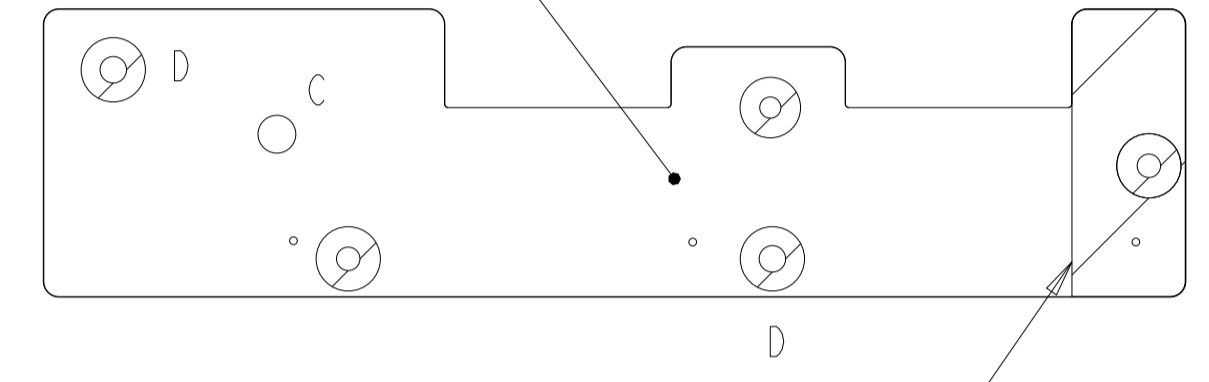
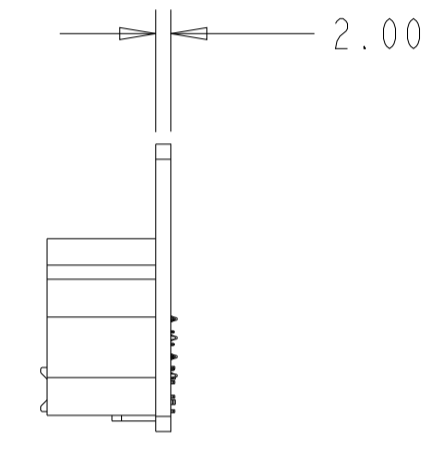
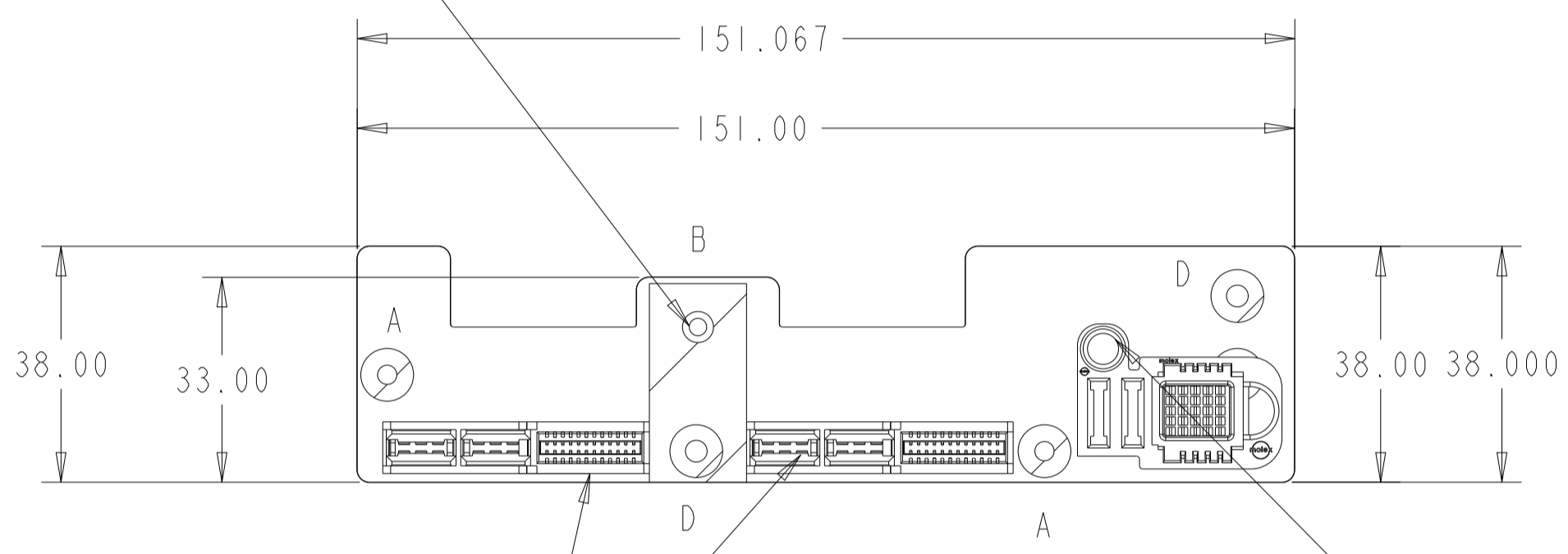


VER.	MARK.	DCR/ECH. NO.	DATE	UPDATE DESCRIPTION	SIGNATURE



**BOTTOM SIDE KEEP OUT 3MM MAX
UNLESS OTHERWISE SPECIFIED**

GUIDE HOLE



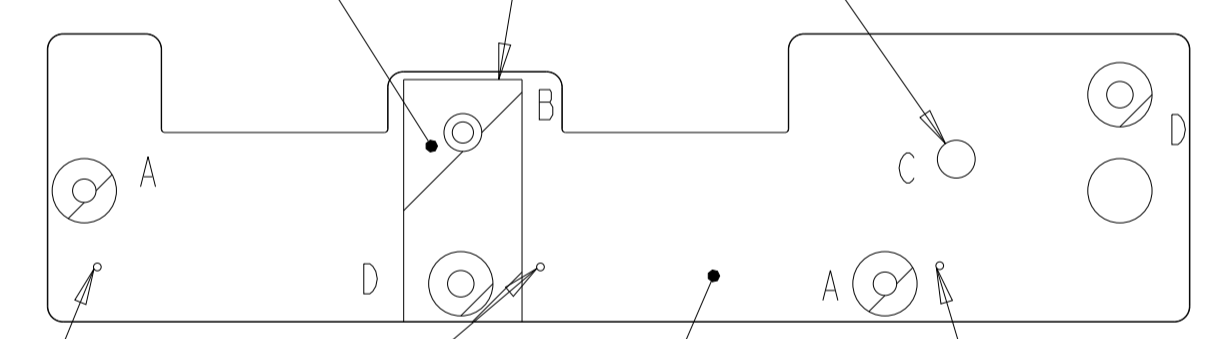
White Paint Area

MLX 461144241

MLX 465621044

H = 0MM

White Paint Area



Pin REF

Pin REF

**TOP SIDE KEEP OUT 5MM MAX
UNLESS OTHERWISE SPECIFIED**

MATERIAL (SPEC.)	SEE NOTES	SCALE	ufiSpace	
FINISH	SEE NOTES	SHEET		
SELECT	A B C EPS EPT BAG CTN LABEL	UNIT	PART NAME	DESIGNED
0-6	0 55 0 05 0 10		05_PSU_PCB_ASM_CSGR	Calvin
6-30	0 10 0 15 0 20 0 30 0 50 3 00		MODEL	APPROVED
30-120	0 15 0 20 0 30 0 50 5 00 2 00 2 00 10	A I	CSGR	Jason
120-300	0 20 0 30 0 40 1 00 1 00 0 00 3 00 15		CUSTOMER MODEL	
300-450	0 25 0 40 0 50 2 00 2 00 15 00 5 00 20		CUSTOMER PART NO.	
450-600	0 30 0 60 3 00 3 00 0 00 0 00 20			
DRAFT TOLERANCE ±.21 CRITICAL DIM. MARK *				