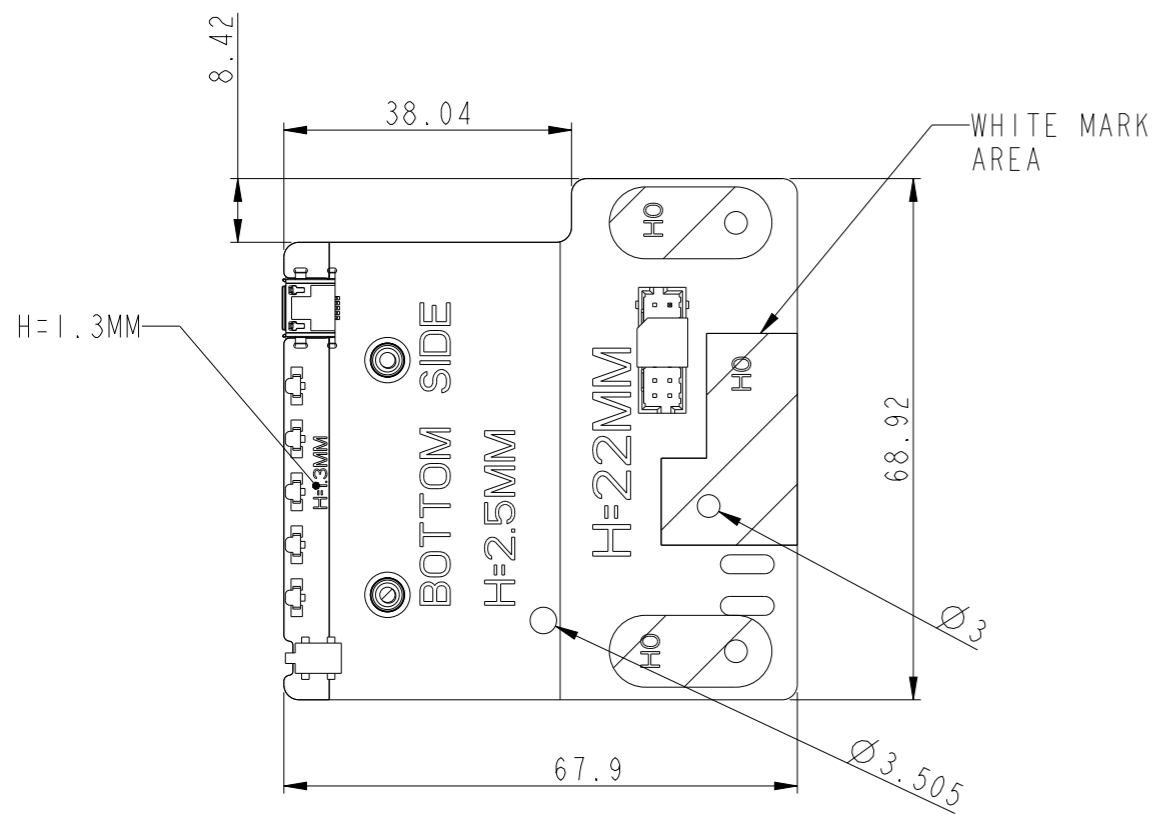
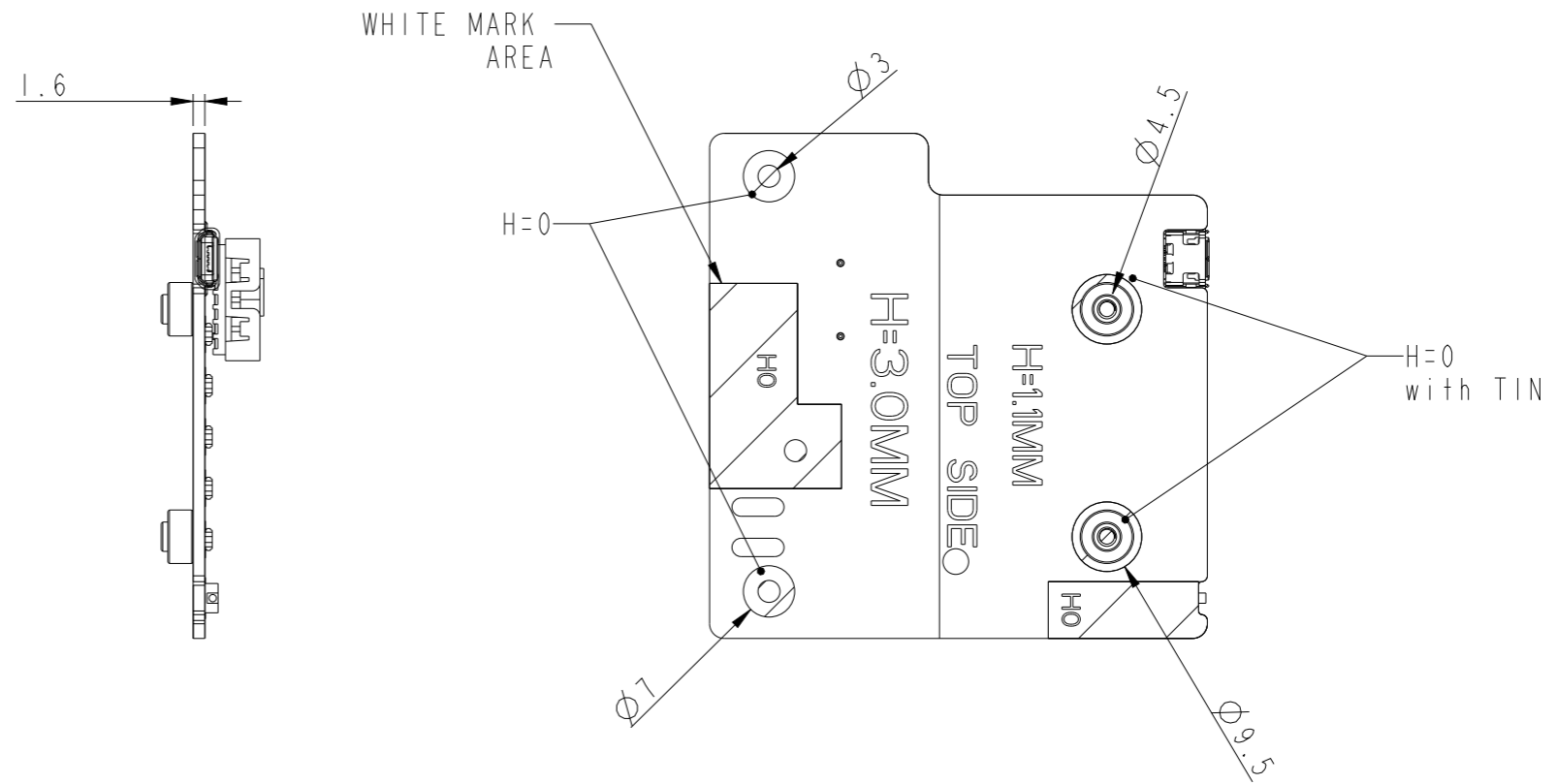


REV.	MARK.	DCR/ECN NO.	DATE	UPDATE DESCRIPTION	SIGNATURE



BOTTOM SIDE



TOP SIDE

MATERIAL (SPEC.)		SEE NOTES	SCALE				
FINISH		SEE NOTES	1:1				
UNIT		MM	SHEET	PART NAME			
1/1				03_LED_PCB_ASM_CSGR			
SIZE		A3	MODEL	CSGR		PART NO.	DESIGNED
CUSTOMER MODEL			CUSTOMER PART NO.		Calvin Lu		
APPROVED		Jason					

Select Dim.	Tol.	A	B	C	EPS	EPE	BAG	CTN	LABEL	USR
0~6		0.05	0.05	0.10					0.20	0.05
6~30		0.10	0.15	0.20	0.50	0.50	3.00		0.20	0.05
30~120		0.15	0.20	0.30	0.50	0.50	5.00	2.00	0.25	0.10
120~300		0.20	0.30	0.40	1.00	1.00	10.00	3.00	0.30	0.15
300~450		0.25	0.40	0.50	2.00	2.00	15.00	5.00	0.50	0.20
450~600		0.30	0.50	0.60	3.00	3.00	20.00	5.00	0.80	0.20

DRAFT TOLERANCE  $\pm 0.2^{\circ}$  CRITICAL DIM. MARK \*