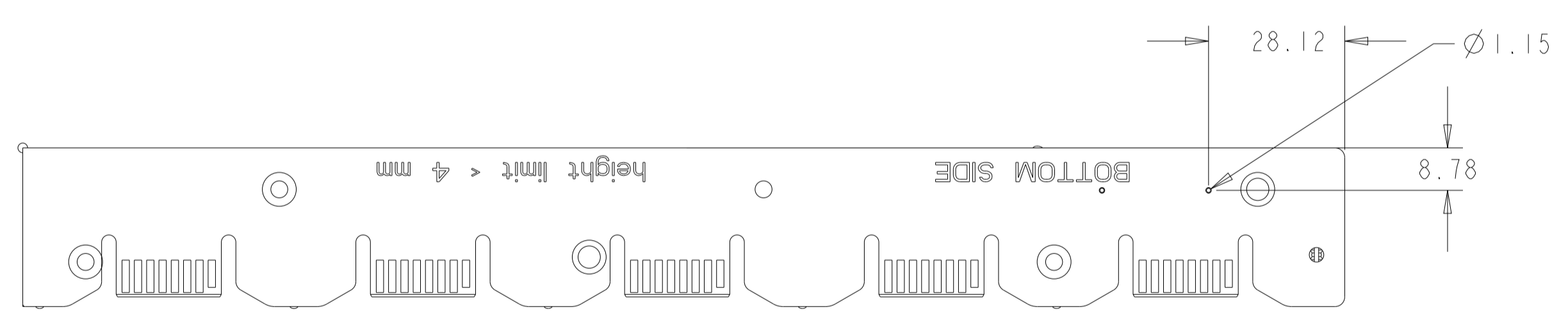
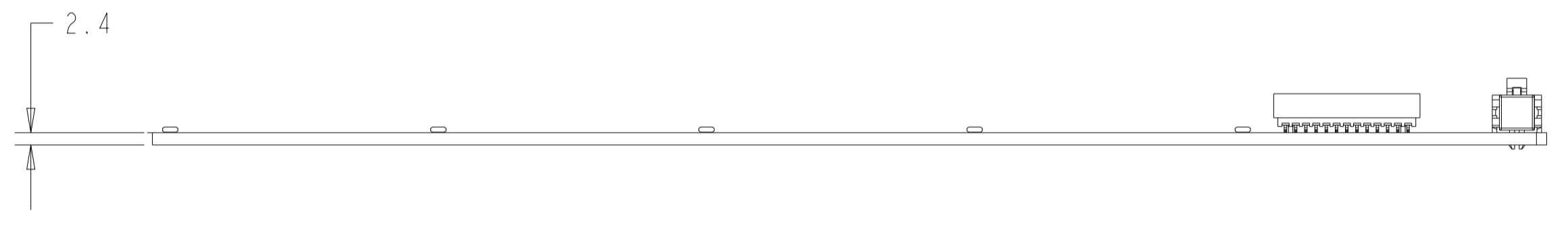
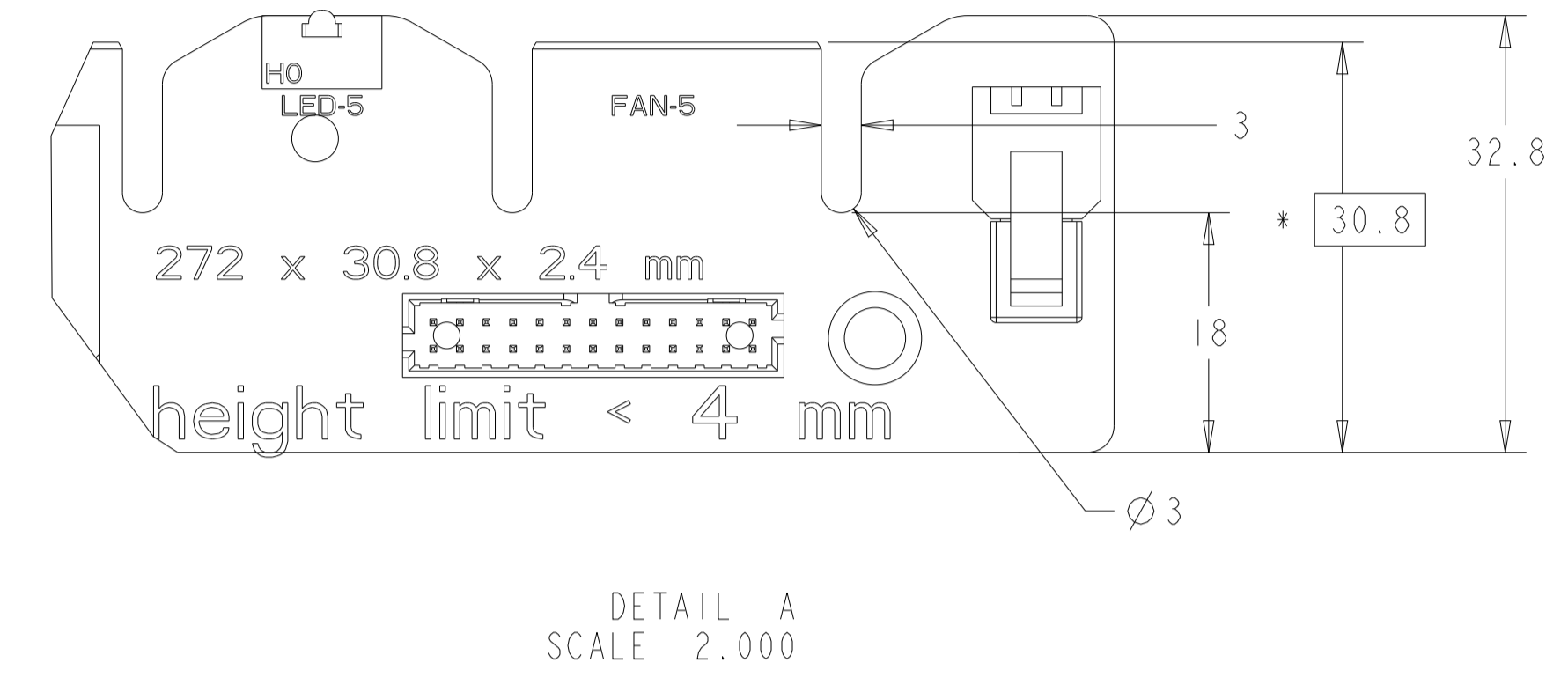
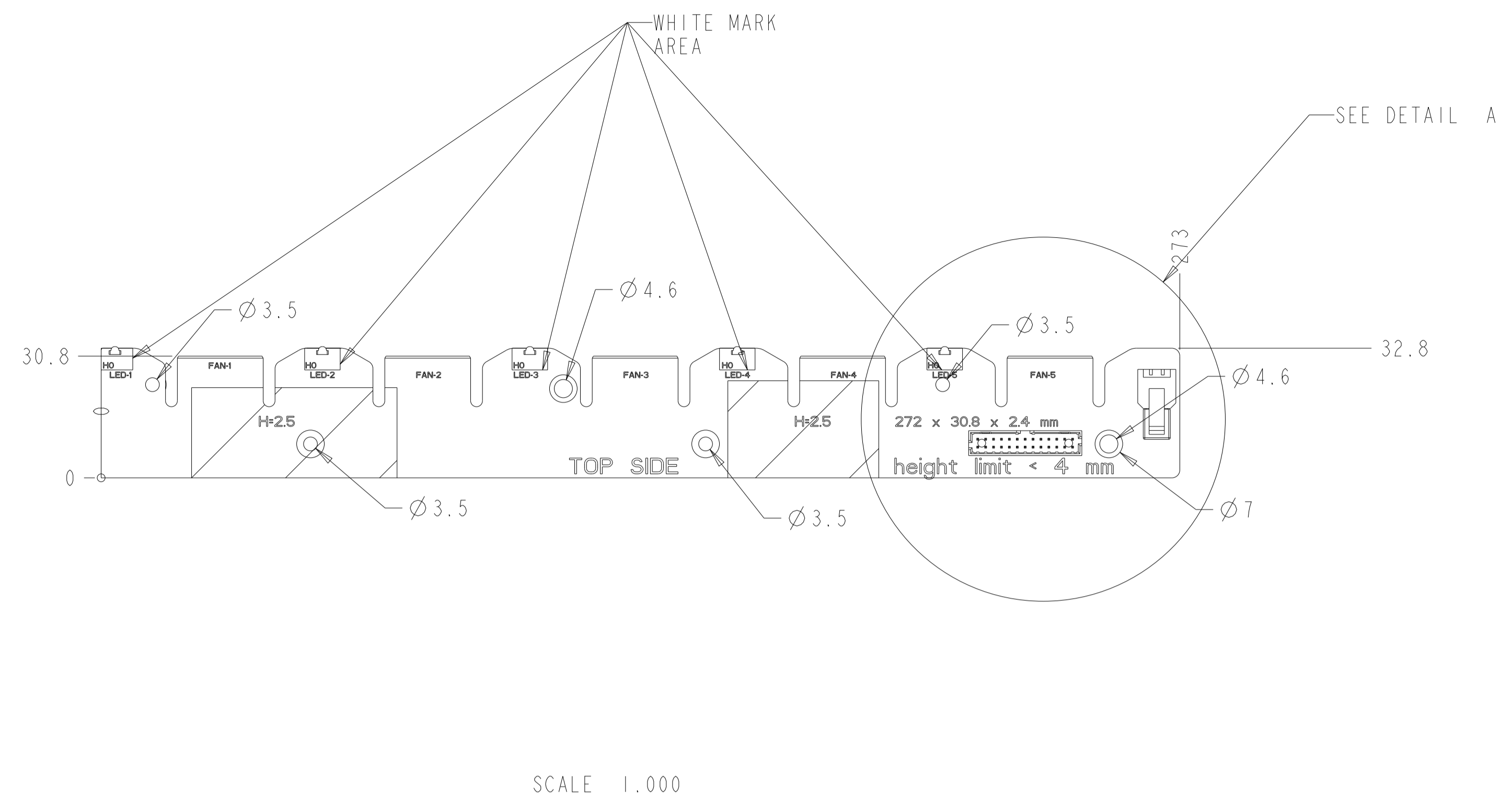


VER.	MARK.	DCR/ECN NO.	DATE	UPDATE DESCRIPTION	SIGNATURE



MATERIAL (SPEC.)		SCALE		ufiSpace	
SEE NOTES		1:1		PART NAME	
FINISH		SHEET		FAN_PCBA_CSGR	
SEE NOTES		1/1		PART NO.	
Select		UNIT		MODEL	
A	B	C	INCH	CSGR	DESIGNED
0-6	0.55	0.55	0.10		Calvin
6-30	0.10	0.15	0.20		APPROVED
30-120	0.15	0.20	0.30		Jason
120-300	0.20	0.30	0.40		
300-450	0.25	0.40	0.50		
450-600	0.30	0.50	0.60		
DRAFT TOLERANCE ±.21 CRITICAL DIM. MARK *					