



OCP Contributions

An **Accton Group** Company

August 2019

Updates To Previous Specification(s)

- Overview of Deutsche Telekom OpenGPON-OLT Specification
- Overview of Edgecore ASGvOLT-64 product specification and design contribution
- Overview of Edgecore AS7926-40/80X Aggregation Router Specification
- Overview of Edgecore AS7926-80X product specification and design contribution

Deutsche Telekom OpenGPON-OLT Specification

- Specifies 32 port and 64 port GPON OLT versions
- Specifies Central Office temperature conditions 0-40C
- Suggests switch silicon and GPON MAC to be used
 - Broadcom Qumran-AX and Maple

Main Block Diagram (64 port version)

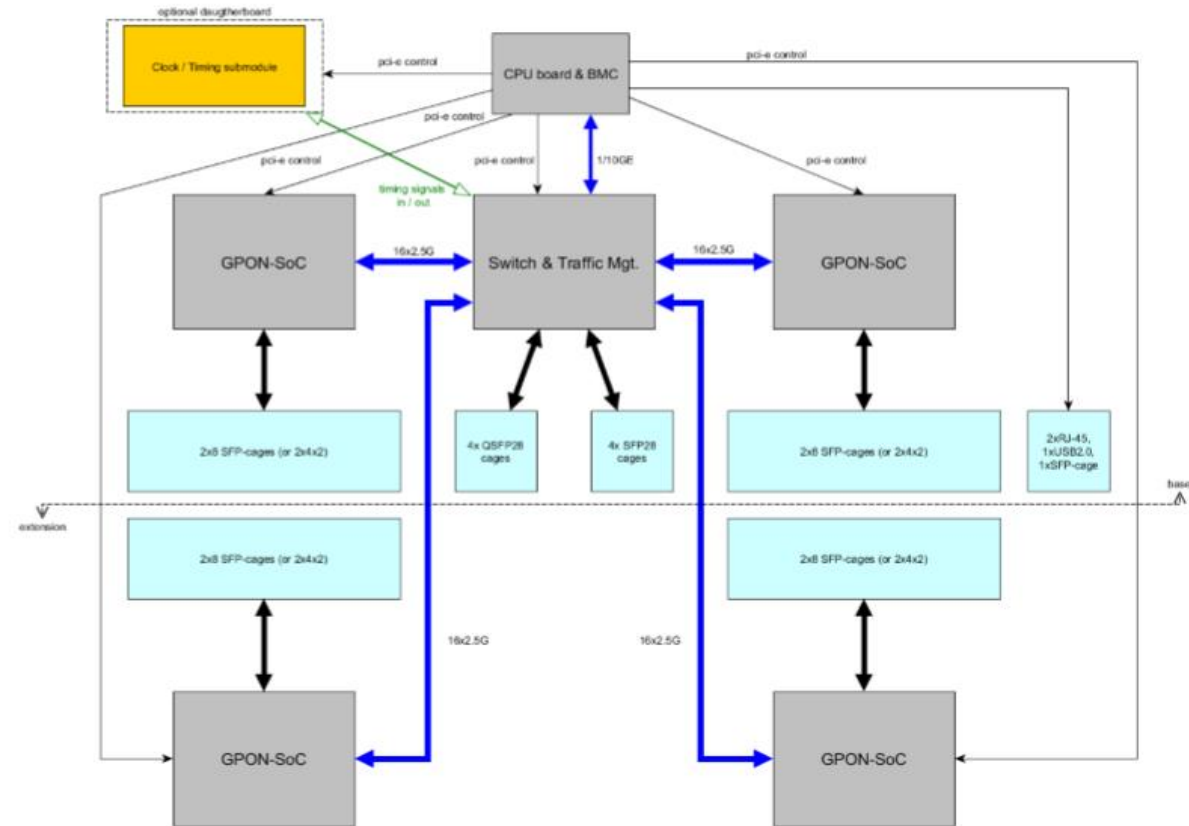
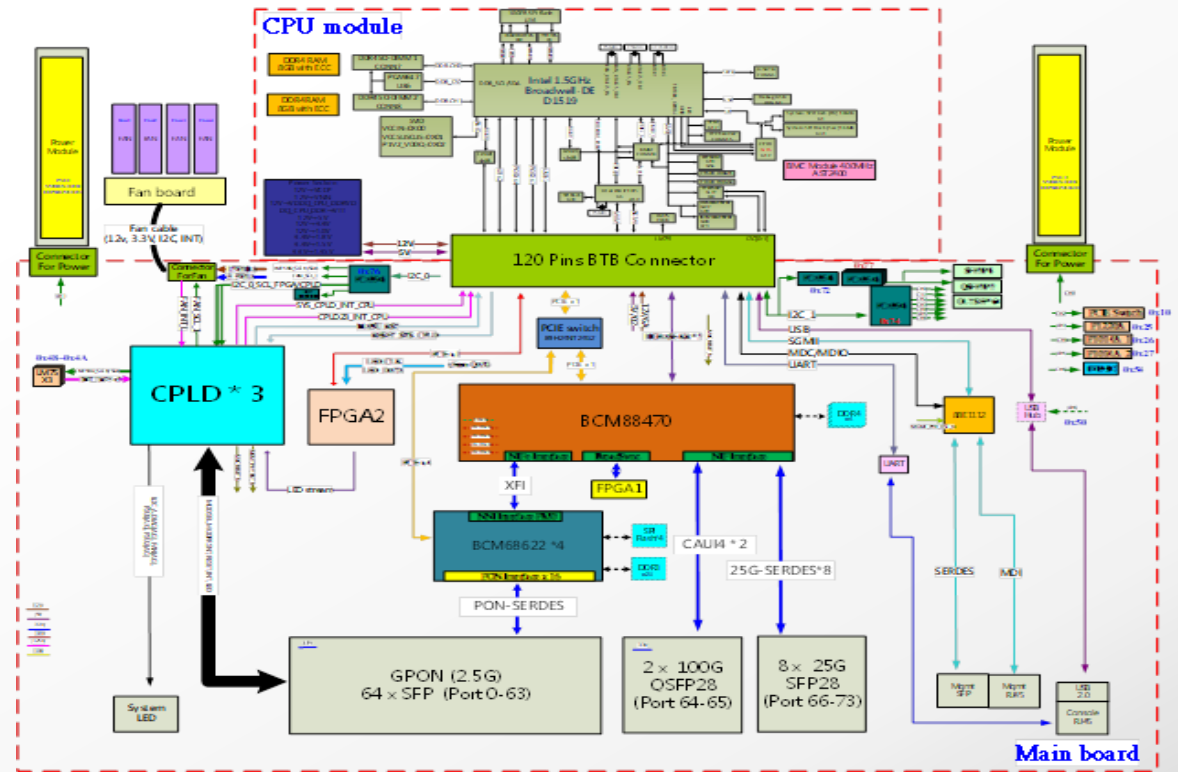


Figure 10 - Main system Block diagram (64 port version)

Edgecore ASGvOLT-64

- 64 port GPON OLT compliant to Deutsche Telekom OpenGPON-OLT
 - 64*SFP GPON, 2*QSFP28, 8*SFP28
- Support for ONF SEBA software solution
- Support for commercial OLT NOS options



64*SFP GPON



2*QSFP28

8*SFP28

SFP/RJ45
Management

Console
USB

Edgecore ASGvOLT-64

Design Contribution Contains:

- **HW Components:**

- Schematics
- Allegro .brd Files
- Gerber Files
- Mechanical STEP Files
- Mechanical Assembly Drawings
- Complete Bill of Materials
- CPLD Code in Binary and Source format
- Test Plan

- **Software Components:**

- ONIE
- Open Network Linux
- OCP Baseline Redfish Profile
- Open Optical Monitoring (OOM)
- Open OLT Driver (ONF SEBA)

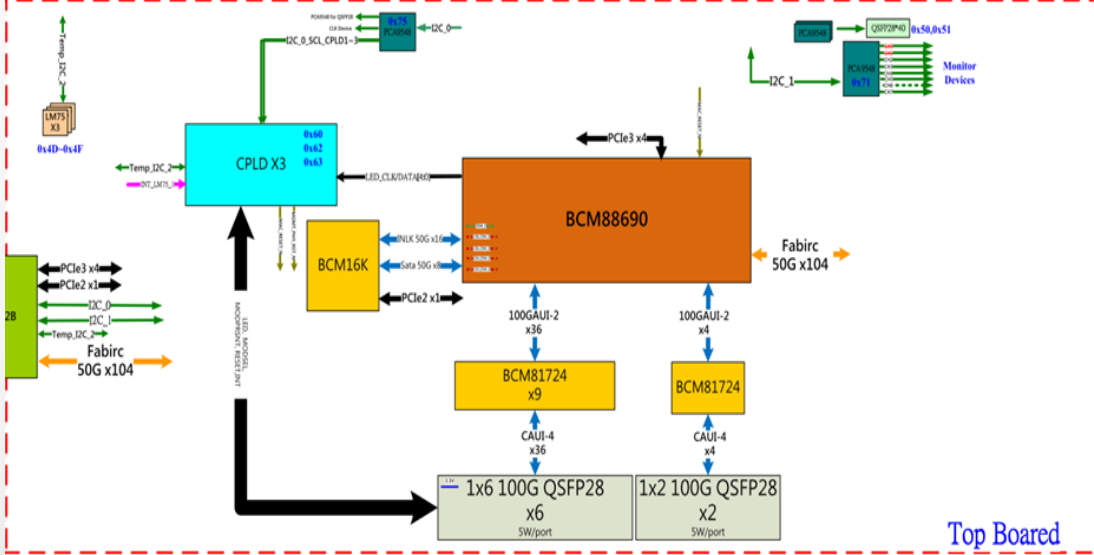
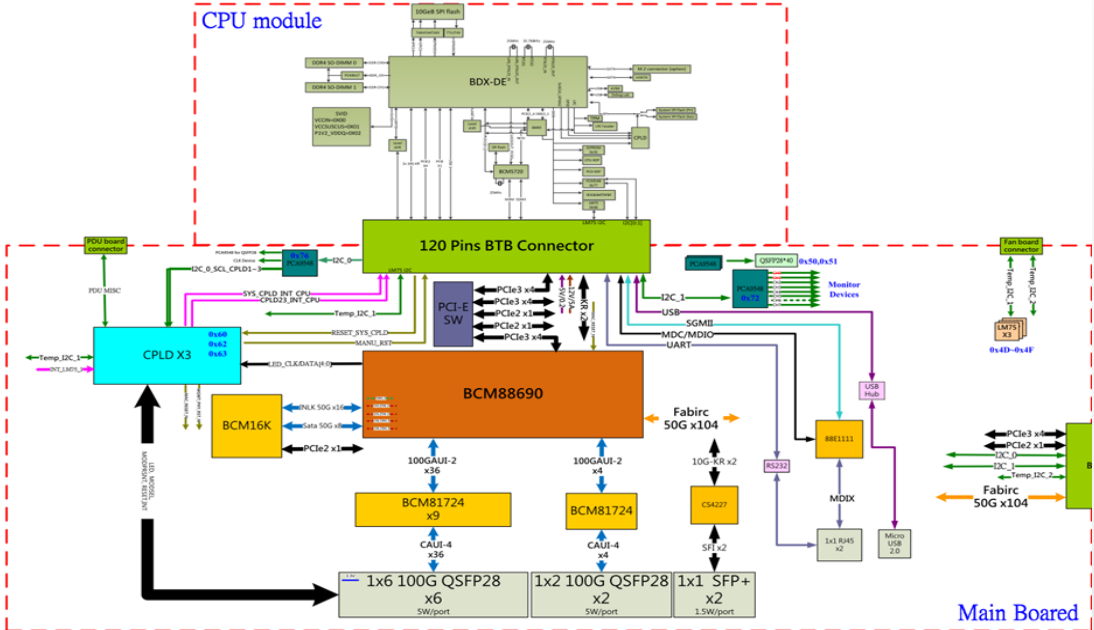
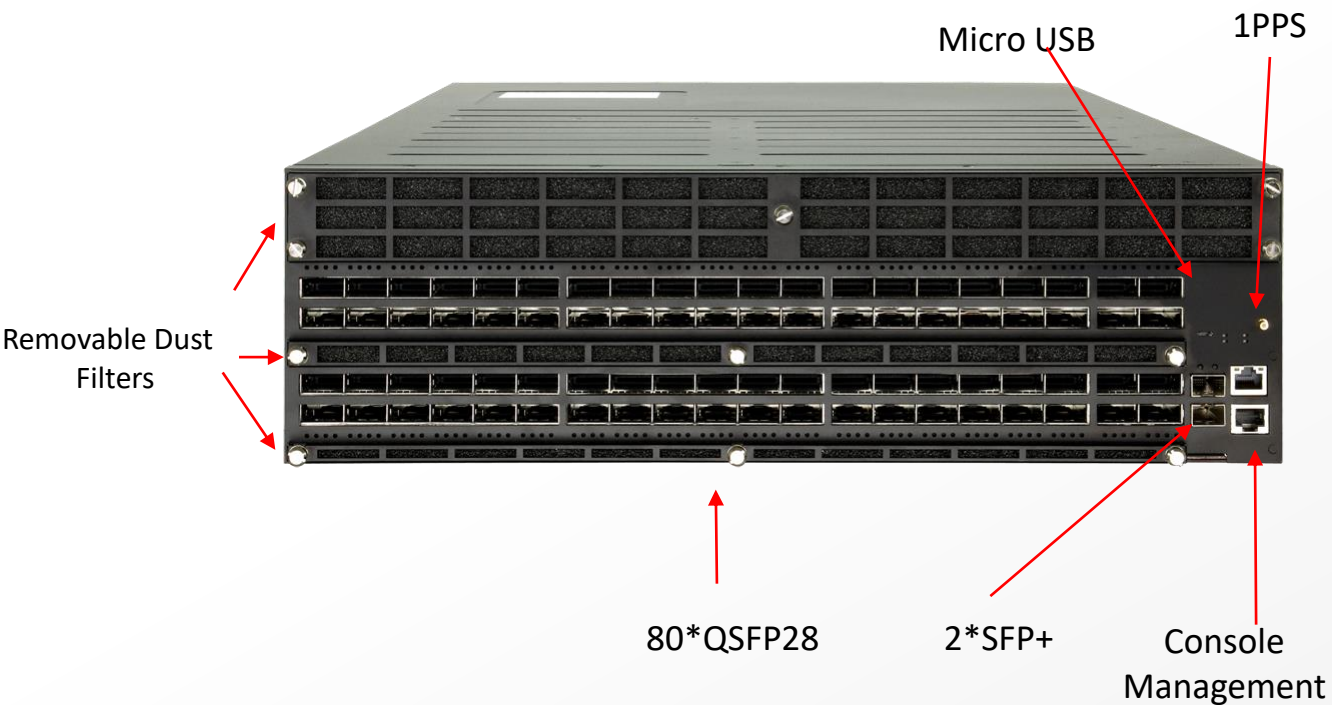
Overview of Edgecore AS7926-40/80X Aggregation Router Specification

- Initial draft specification called out two configurations based upon Broadcom Jericho 2 silicon
- 40*100G
- 80*100G variants
- NEBS 3
- Modular CPU
- BMC support

Edgecore AS7926-80X

- Inputs taken from initial draft specification and incorporated into AS7926-80X specification
 - 80*100G switch based on Jericho 2
 - 3RU
 - NEBS Level 3 support
 - Removable dust filters, 0-55C
 - Support for expandable TCAM entries and statistics

Edgecore AS7926-80X



Edgecore AS7926-80X

Design Contribution Contains:

- **HW Components:**

- Schematics
- Allegro .brd Files
- Gerber Files
- Mechanical STEP Files
- Mechanical Assembly Drawings
- Complete Bill of Materials
- CPLD Code in Binary and Source format
- Test Plan

- **Software Components:**

- ONIE
- Open Network Linux
- OCP Baseline Redfish Profile
- Open Optical Monitoring (OOM)

Edge-core[®]

NETWORKS

www.edge-core.com

THANK YOU